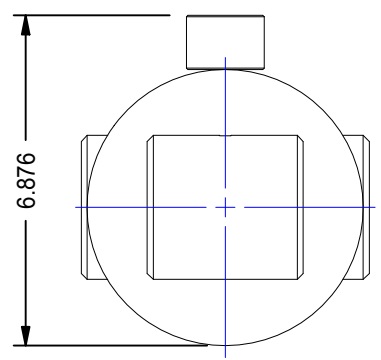
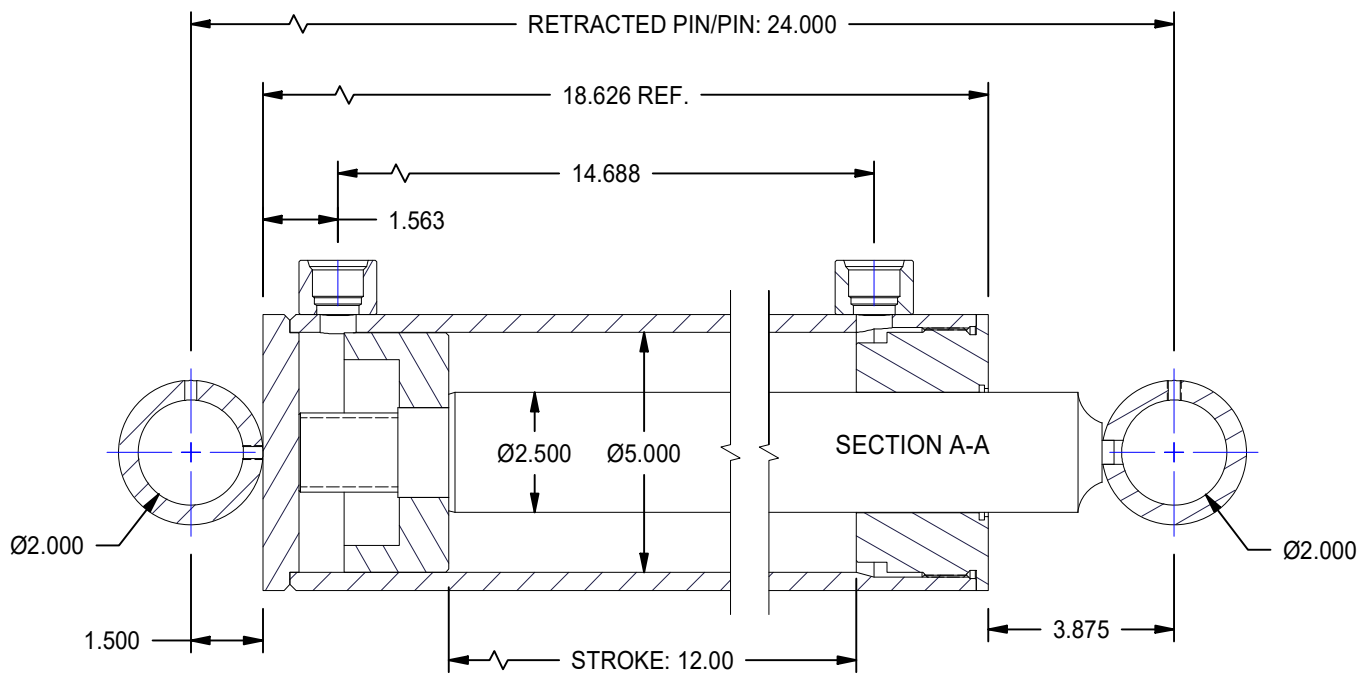
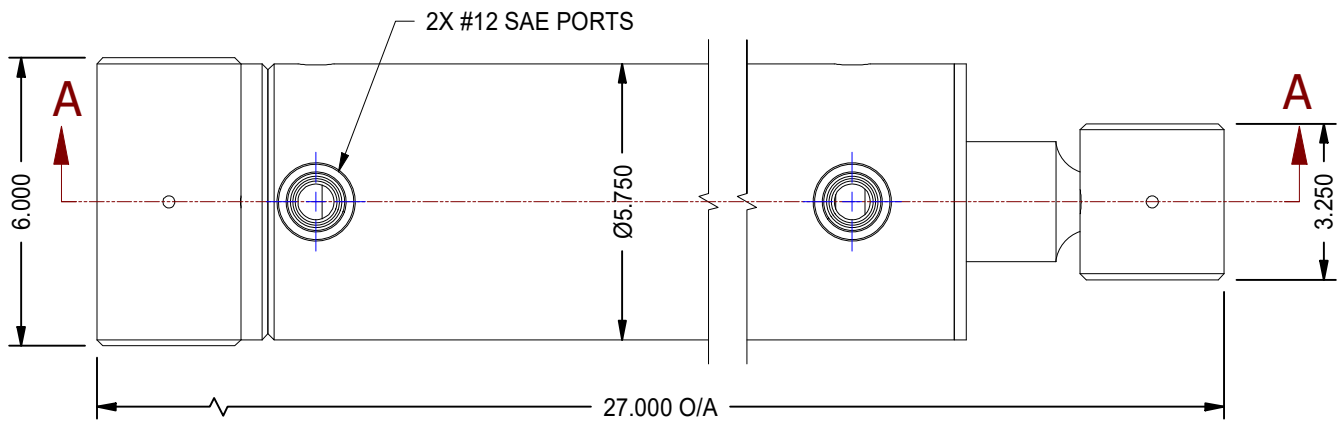



1

2



MODEL NUMBER:		PROJECT/CUSTOMER INFO:		DSGND:	DATE: 2017-05-10
 TITAN WORLDWIDE INC. <small>31 rue 1875 L.</small> <small>Clear that is specific to date or power. One that stands out for greatness of achievement!</small> <small>PHONE: 807-474-5337 FAX: 807-623-5692 EMAIL: info@stanworldwide.com WEB: www.stanworldwide.com</small>		ENGINEER:	CAPACITY:	WEIGHT: N/A	
		SHEET: A SHEET: 5 OF 16 FILENAME: TTN50TBXX.idw		TITLE: TTN50TB12	
DRAWING No:				REVISION:	

DATE	INTL	DESCRIPTION	REV

1

2