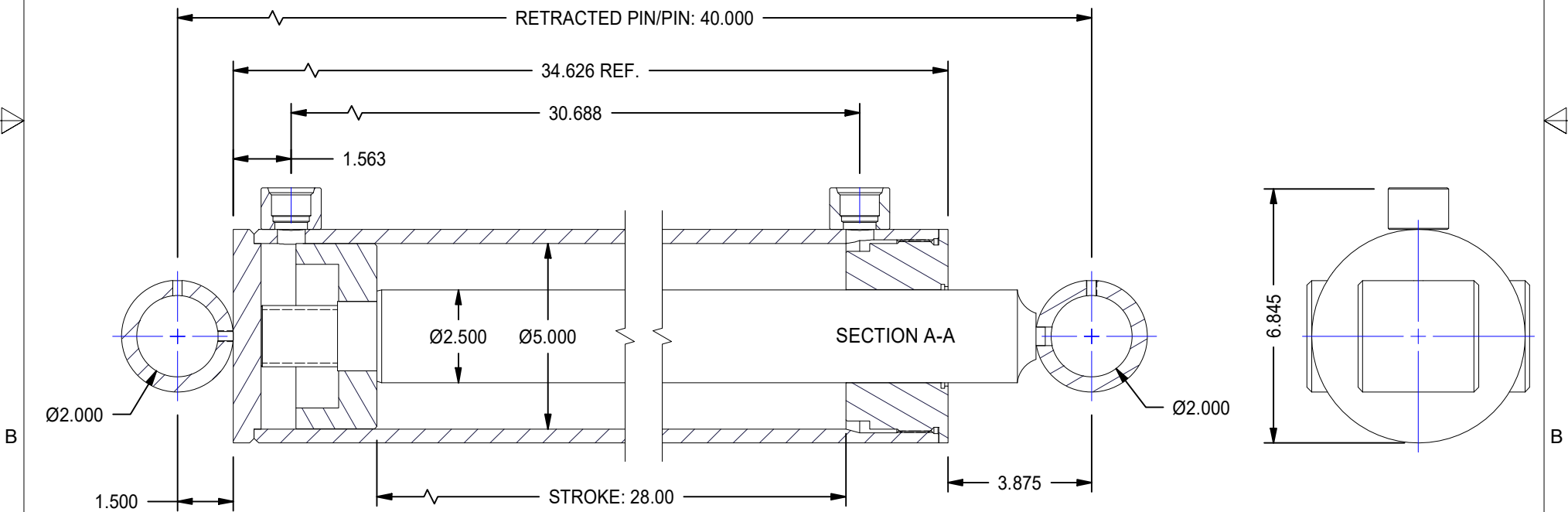
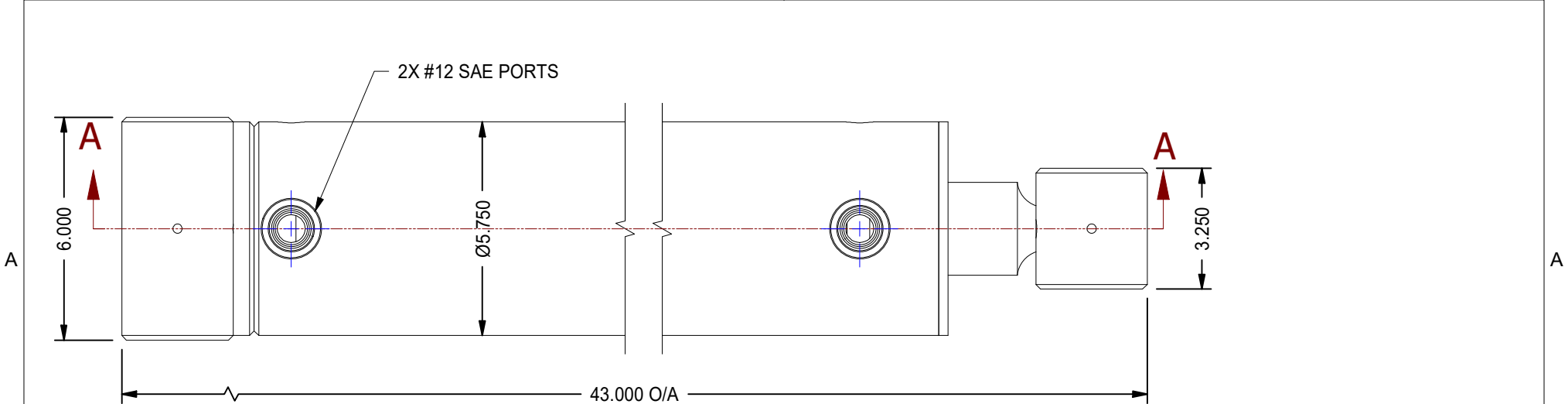



1

2



MODEL NUMBER:		PROJECT/CUSTOMER INFO:		DSGND:	DATE: 2017-05-10
 TITAN WORLDWIDE INC. <small>31 rue 55th St. Clear Lake or Republic, in state or province. One that stands out for greatness of achievement!</small>		ENGINEER:		CAPACITY:	
		WEIGHT: N/A		FILENAME: TTN50TBXX.idw	
SHEET SIZE: A	SHEET: 11 OF 16	TITLE: TTN50TB28			
DRAWING No:					REVISION:

DATE	INTL	DESCRIPTION	REV

1

2