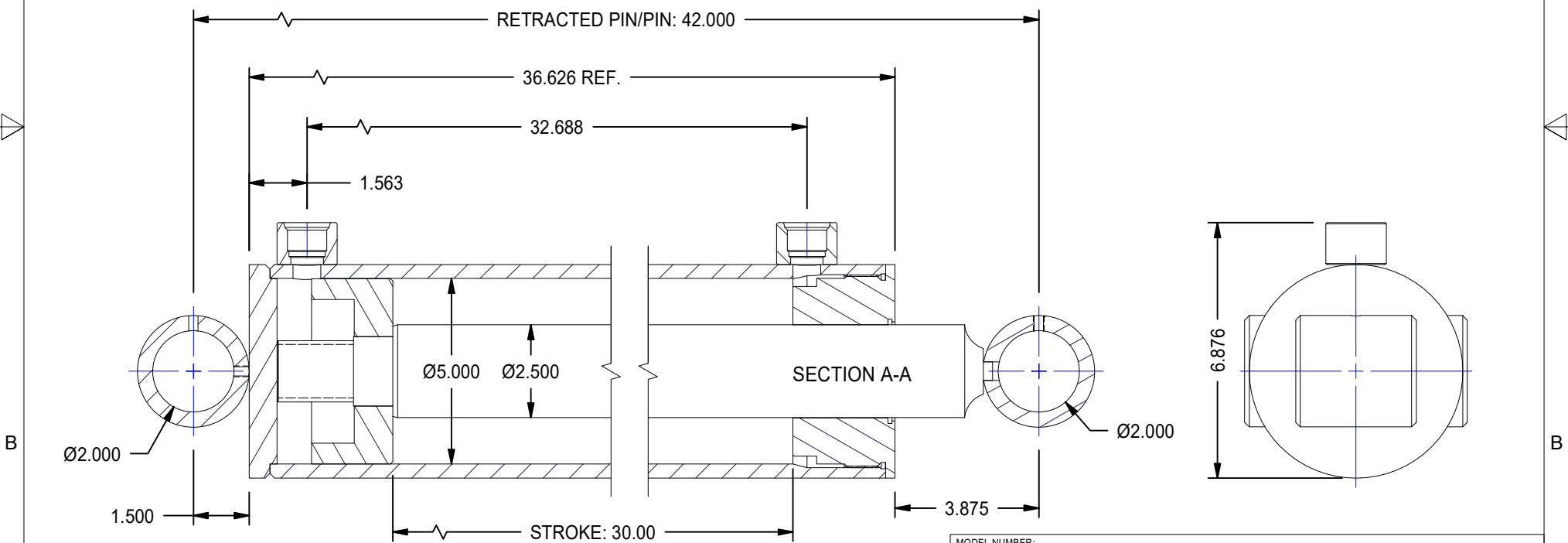
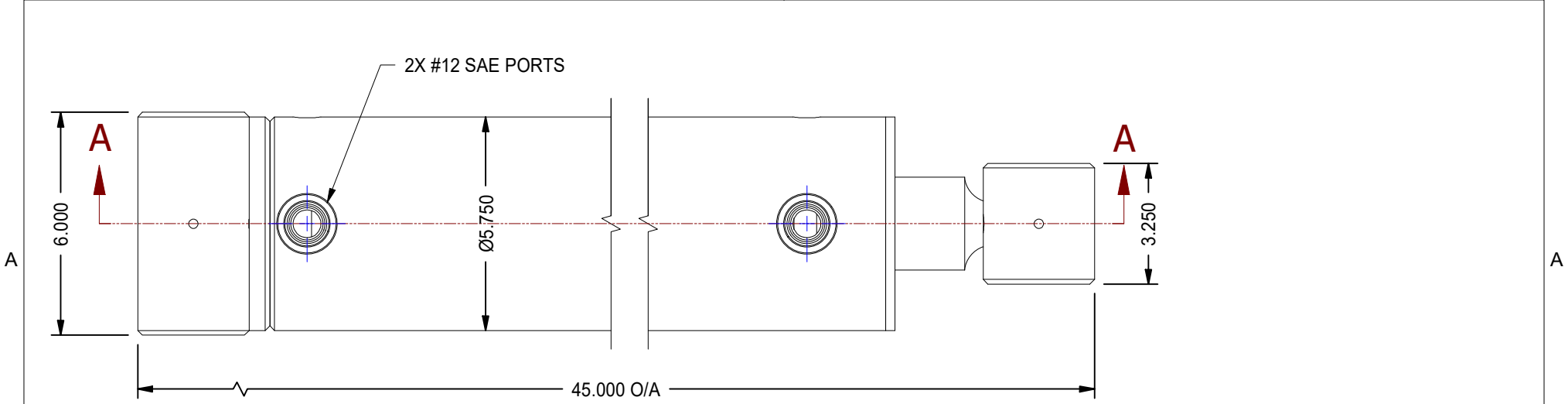


1

2



MODEL NUMBER:

PROJECT/CUSTOMER INFO:

DSGND: DATE: 2017-05-10

ENGINEER: CAPACITY:

WEIGHT: N/A

SHEET SIZE: A SHEET: 12 OF 16 FILENAME: TTN50TBXX.idw

TITLE: TTN50TB30

DRAWING No: REVISION:

701 MONTREAL STREET
THUNDER BAY, ON
P7E 3P-2
CANADA
TEL: 807-474-5337
FAX: 807-423-5692
www.titanworldwide.com

1

2

DATE	INTL	DESCRIPTION	REV