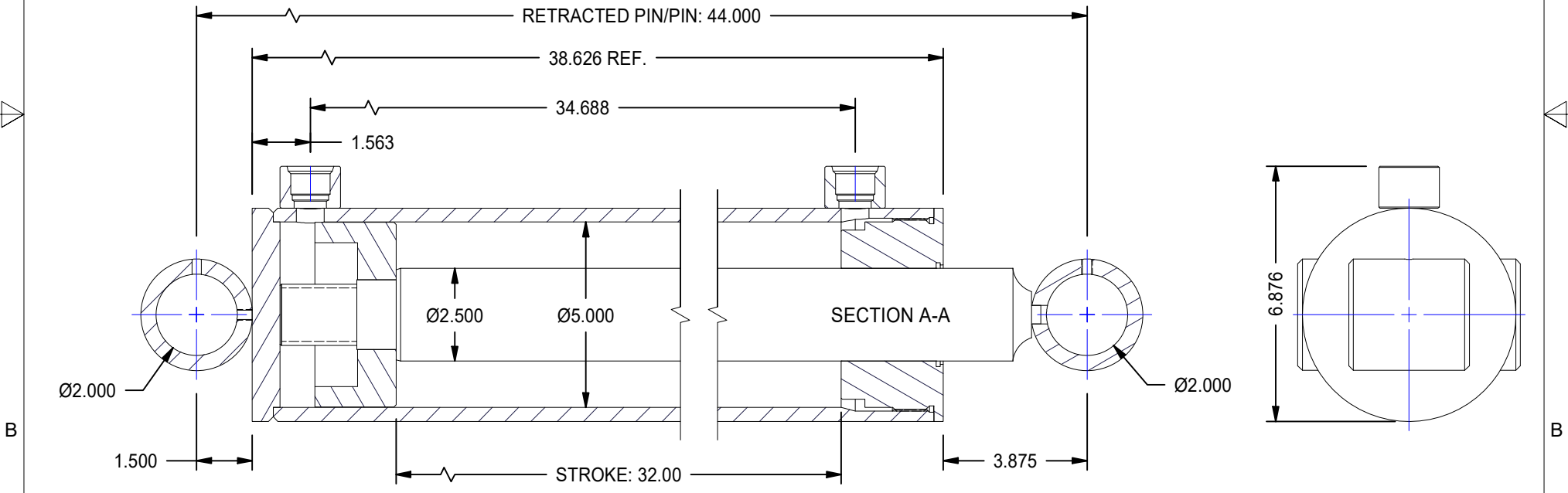
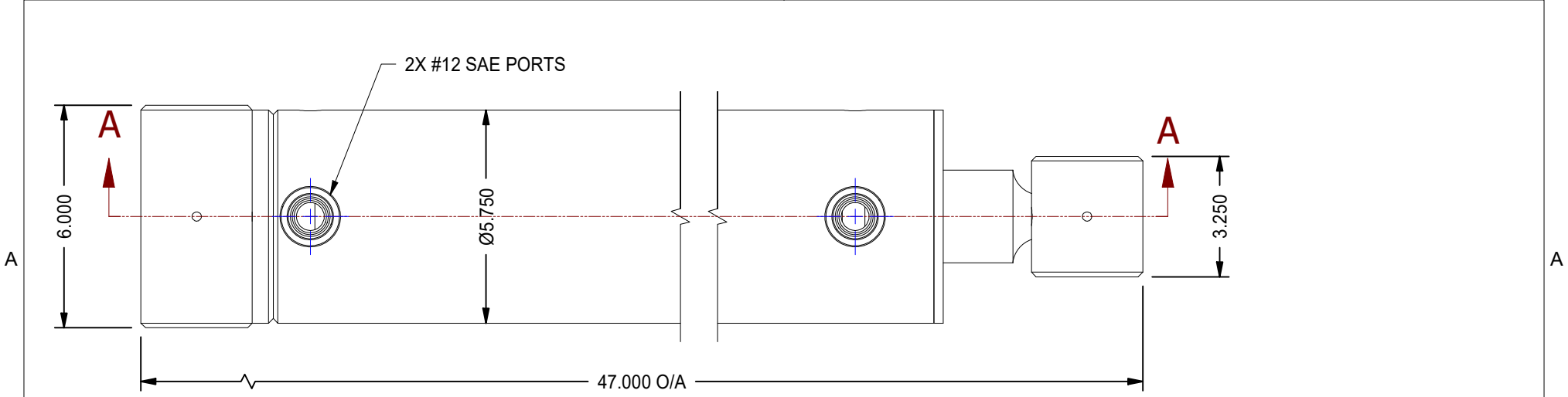



1

2



1

2

MODEL NUMBER:		PROJECT/CUSTOMER INFO:		DSGND:	DATE: 2017-05-10
 TITAN WORLDWIDE INC. <small>31 rue 1875 S. Clear Fall is required in case of power. One that stands out for greatness of achievement!</small>		ENGINEER:	CAPACITY:	WEIGHT: N/A	
		SHEET SIZE: A		SHEET: 13 OF 16	FILENAME: TTN50TBXX.idw
701 MONTREAL STREET THUNDER BAY, ON P7E 3P-2 CANADA TEL: 807-474-5337 FAX: 807-623-5692 www.titanworldwide.com		DRAWING No:		REVISION:	

DATE	INTL	DESCRIPTION	REV