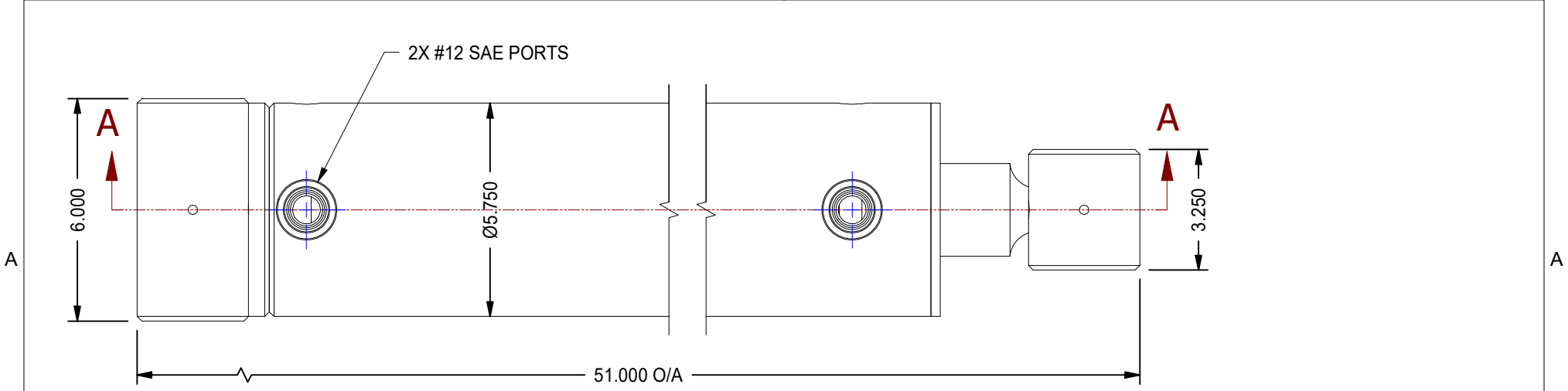


1

2

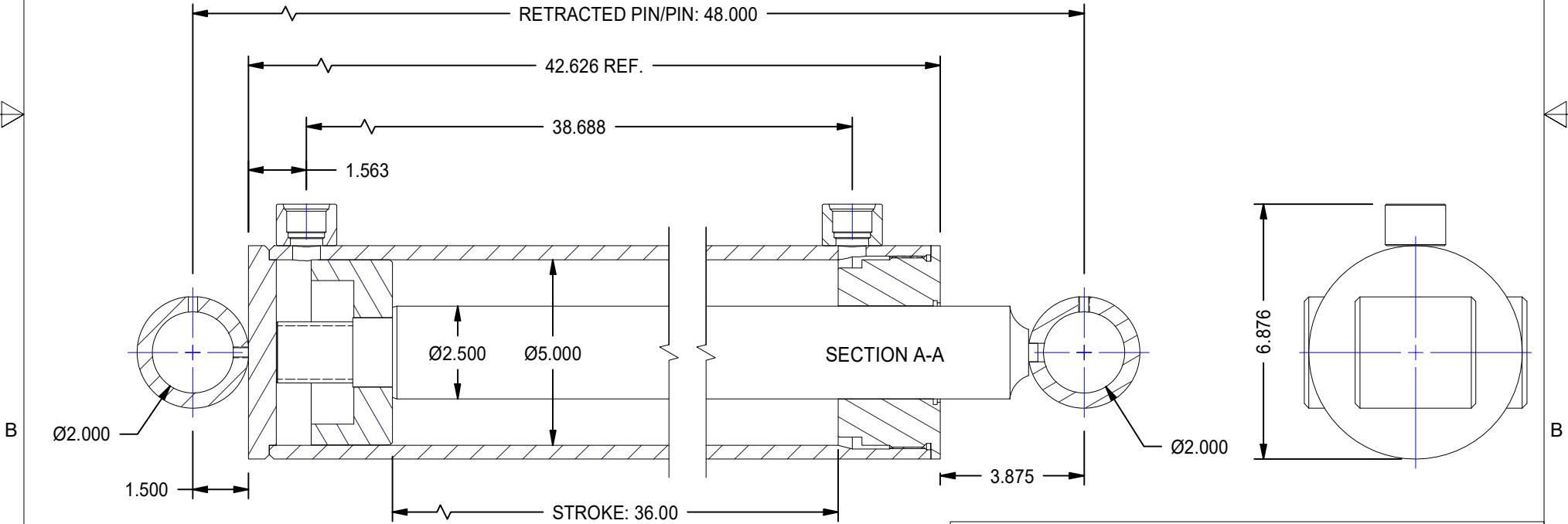


A

A


B

B



B

B

| | | | | | |
|--|-----------------|------------------------|--|-------------------------|------------------|
| MODEL NUMBER: | | PROJECT/CUSTOMER INFO: | | DSGND: | DATE: 2017-05-10 |
|  TITAN WORLDWIDE INC. <small>31 Sun 875 St. Clear Hill rd, Quebec, QC H9B 2K1 Clear Hill rd, Quebec, QC H9B 2K1</small> | | ENGINEER: | | CAPACITY: | |
| | | WEIGHT: N/A | | FILENAME: TTN50TBXX.idw | |
| SHEET SIZE: A | SHEET: 14 OF 16 | TITLE: TTN50TB36 | | | |
| DRAWING No: | | | | | REVISION: |

| DATE | INTL | DESCRIPTION | REV |
|------|------|-------------|-----|
| | | | |

1

2