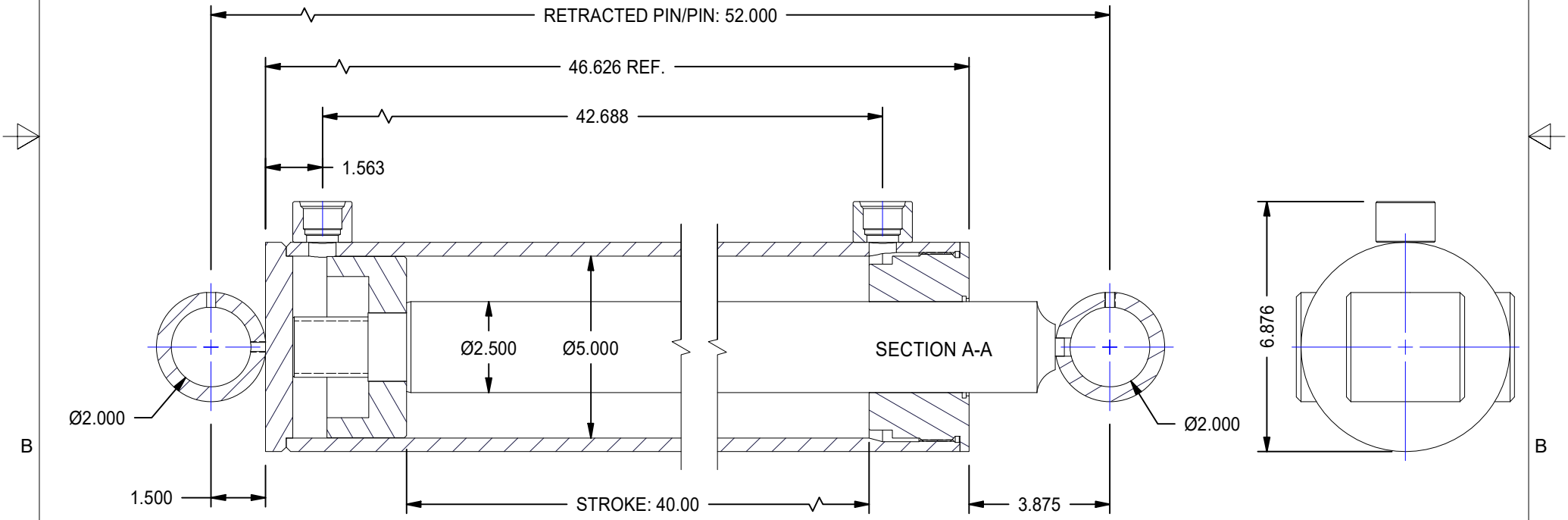
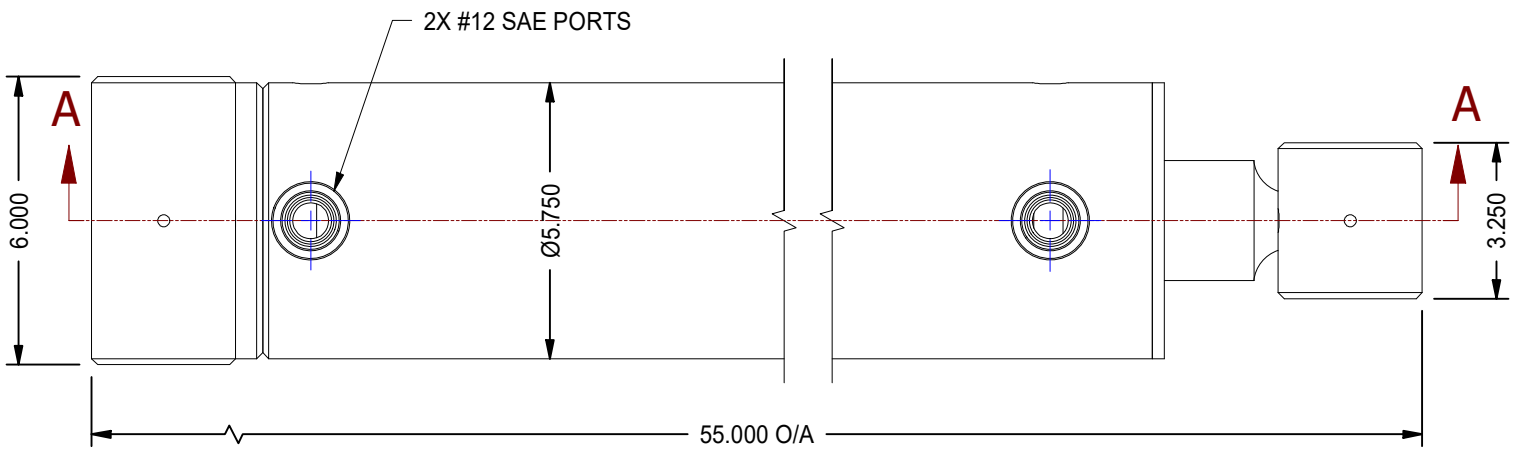



1

2



MODEL NUMBER:		PROJECT/CUSTOMER INFO:		DSGND:	DATE: 2017-05-10
 TITAN WORLDWIDE INC. <small>31 rue 1075 S. Clear Fall or please, in case of power. One that stands out for greatness of achievement</small>		ENGINEER:	CAPACITY:	WEIGHT: N/A	
		SHEET: A		SHEET: 15 OF 16	FILENAME: TTN50TBXX.idw
701 MONTREAL STREET THUNDER BAY, ON P7E 3P-2 CANADA TEL: 807-474-5337 FAX: 807-423-5692 www.titanworldwide.com		TITLE: TTN50TB40		DRAWING No:	
DATE		INTL	DESCRIPTION	REV	REVISION:

1

2