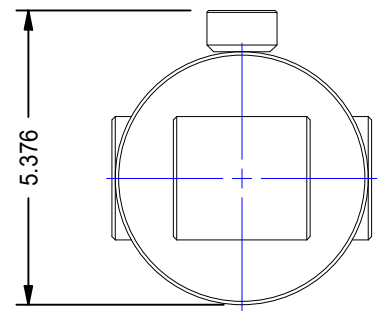
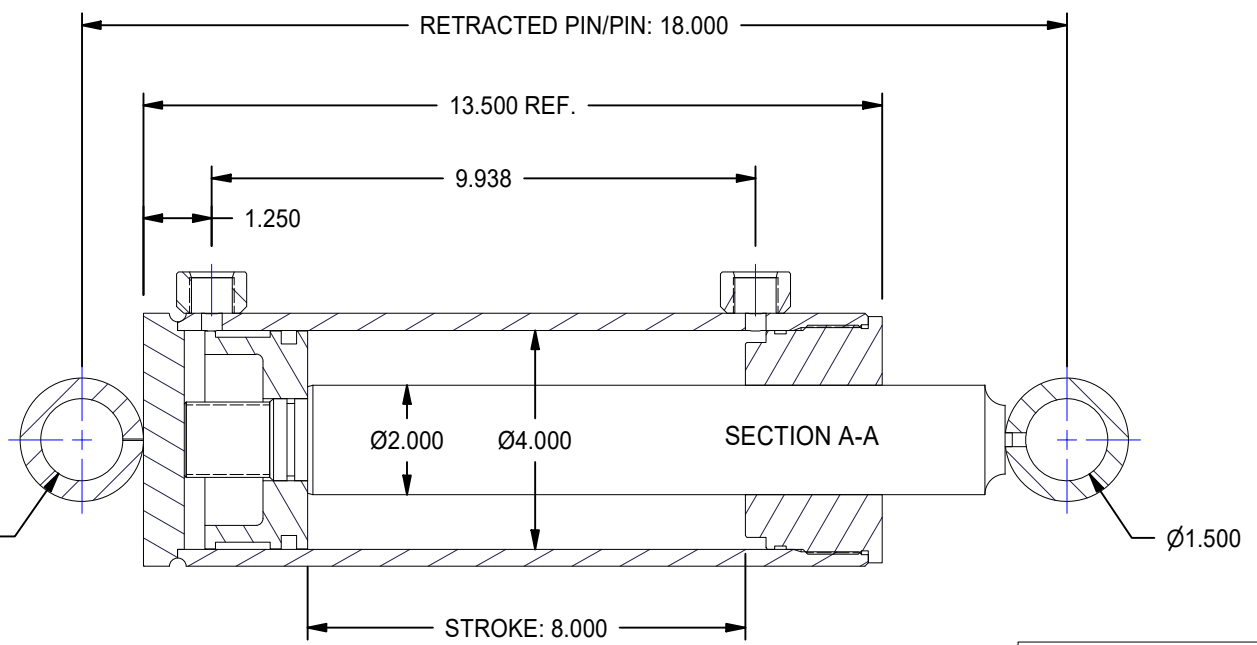
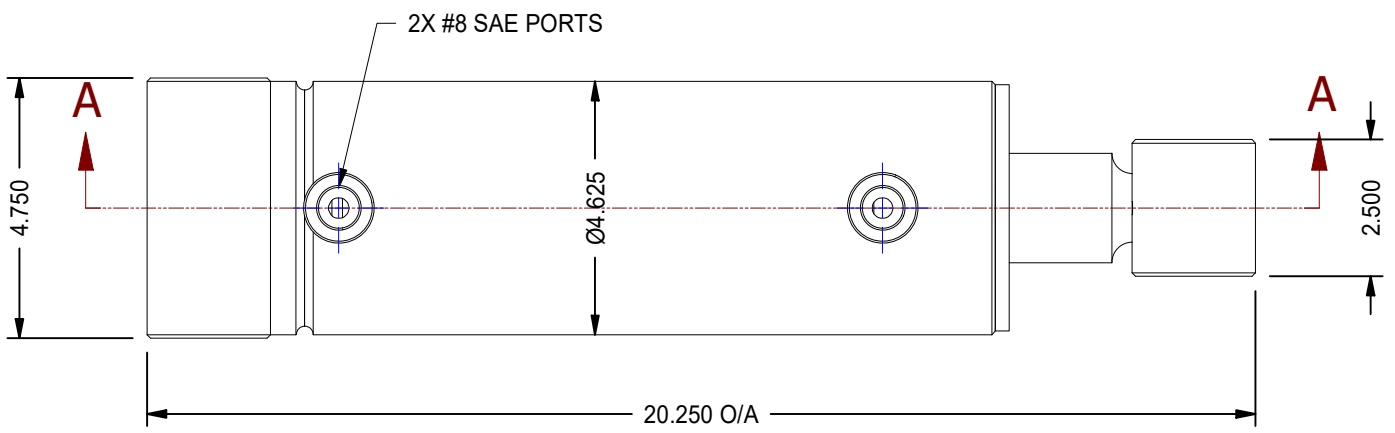


1

2



A

A


B

B

1

2

DATE	INTL	DESCRIPTION	REV

MODEL NUMBER:  TITAN WORLDWIDE INC. <small>21 rue 88th St. Clear Lake or Republic, in state of power. One that stands out for greatness of achievement!</small> <small>PHONE: 807-474-5337 FAX: 807-623-5692 EMAIL: info@titanworldwide.com WEB: www.titanworldwide.com</small>		PROJECT/CUSTOMER INFO: DSGND: DATE: 2012-10-16 CAPACITY: WEIGHT: N/A	
SHEET SIZE: A TITLE: TTN40TB08	SHEET: 1 OF 14 FILENAME: TTN40TBXX.idw	DRAWING No: REVISION:	