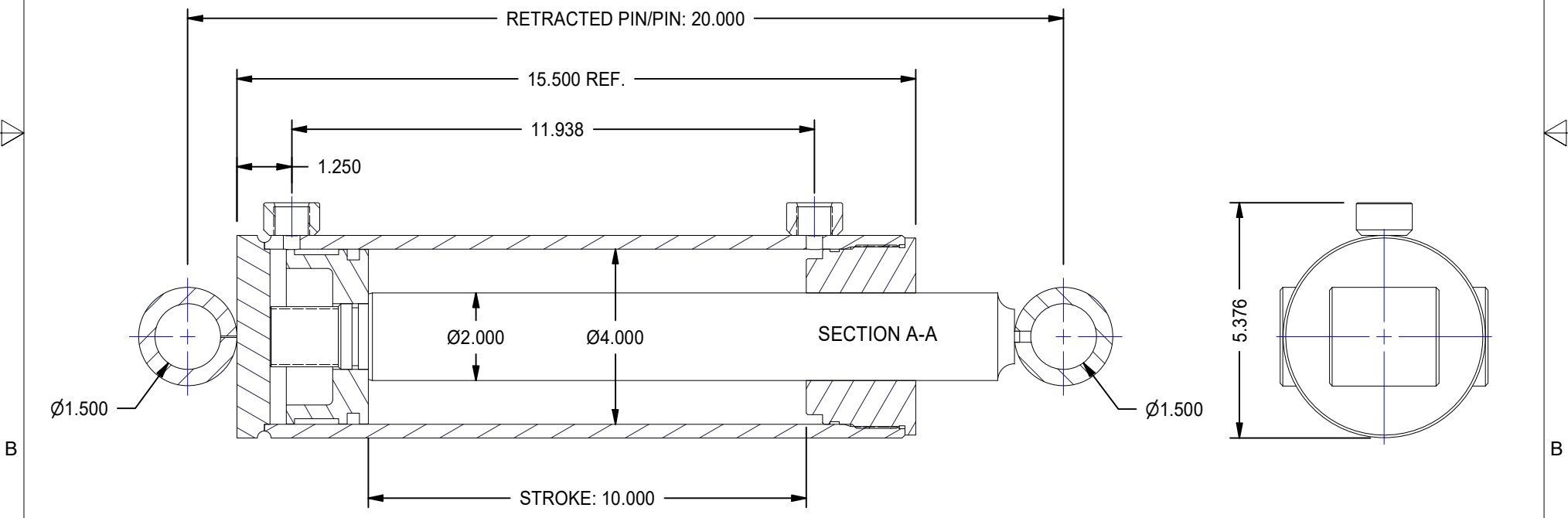
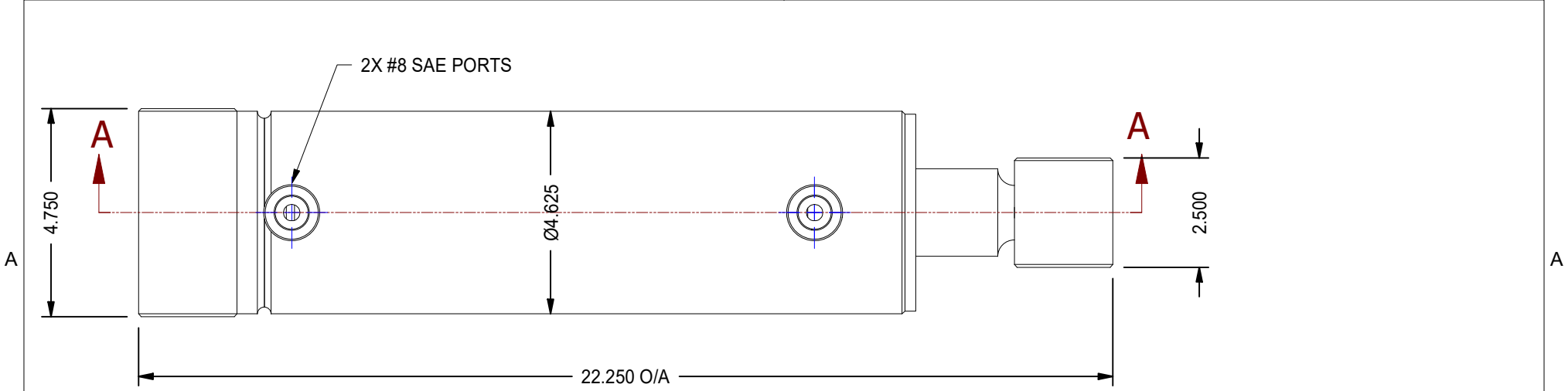


1

2




B

B

1

2

DATE	INTL	DESCRIPTION	REV

MODEL NUMBER:		PROJECT/CUSTOMER INFO:		DSGND:	DATE: 2012-10-16
 <b>TITAN WORLDWIDE INC.</b> <small>21 rue 88th St.          Clear Lake, CA 94535          Clear Lake is registered in state of power. One that stands out for greatness of achievement!</small>		CAPACITY:		WEIGHT: N/A	
		SHEET SIZE: A		SHEET: 2 OF 14	FILENAME: TTN40TBXX.idw
701 MONTREAL STREET THUNDER BAY, ON P7E 3P2 CANADA TEL: 807-474-5337 FAX: 807-423-5692 www.titanworldwide.com		TITLE: TTN40TB10		DRAWING No:	
				REVISION:	