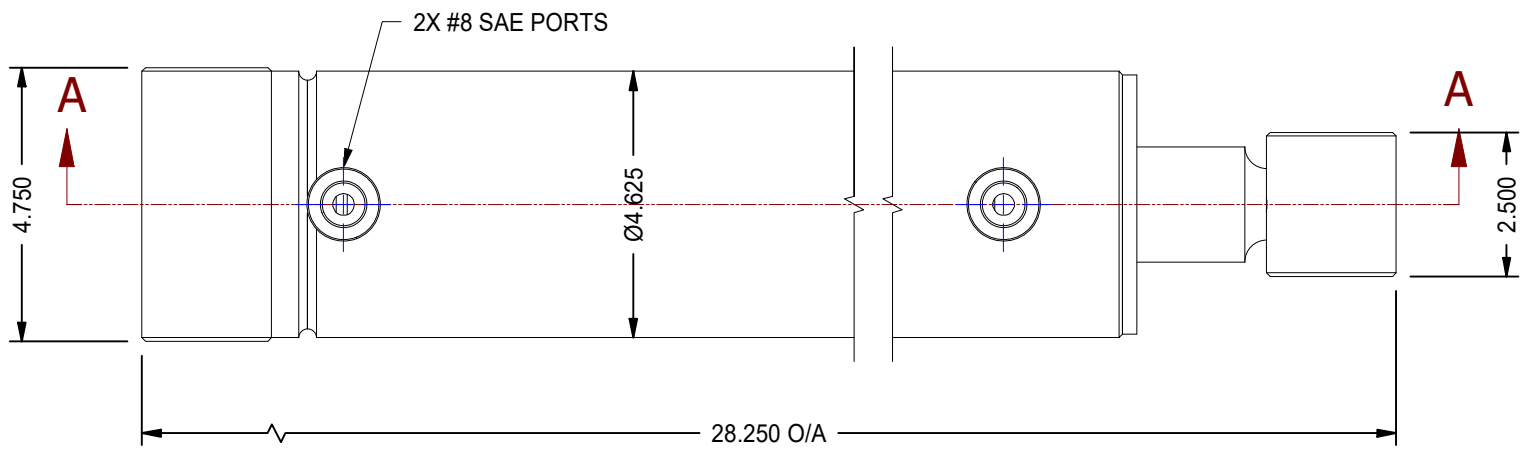


1

2

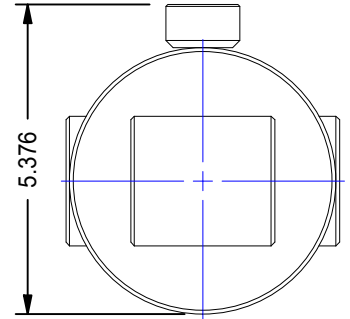
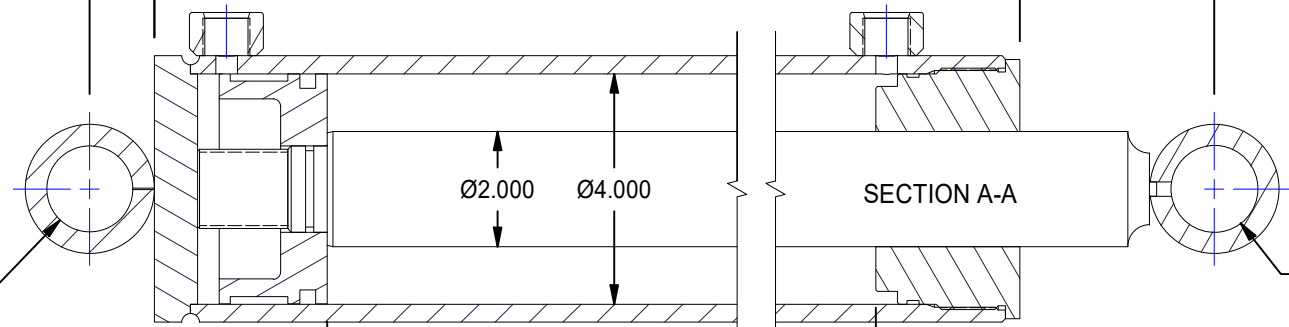


RETRACTED PIN/PIN: 26.000

21.500 REF.

17.937

1.250




$\text{Ø}1.500$

$\text{Ø}2.000$ $\text{Ø}4.000$

SECTION A-A

$\text{Ø}1.500$

STROKE: 16.000

MODEL NUMBER:		PROJECT/CUSTOMER INFO:		DSGND:	DATE: 2012-10-16
 TITAN WORLDWIDE INC. <small>31 ton 5000 L</small> <small>Clear Fall in liquid, in case of power. One that stands out for greatness of achievement!</small> <small>PHONE: 807-474-5337 FAX: 807-623-5692 EMAIL: info@titanworldwide.com WEB: www.titanworldwide.com</small>		CAPACITY:		WEIGHT: N/A	
		SHEET: A SHEET: 5 OF 14 FILENAME: TTN40TBXX.idw		TITLE: TTN40TB16	
DRAWING No:				REVISION:	

DATE	INTL	DESCRIPTION	REV

1

2