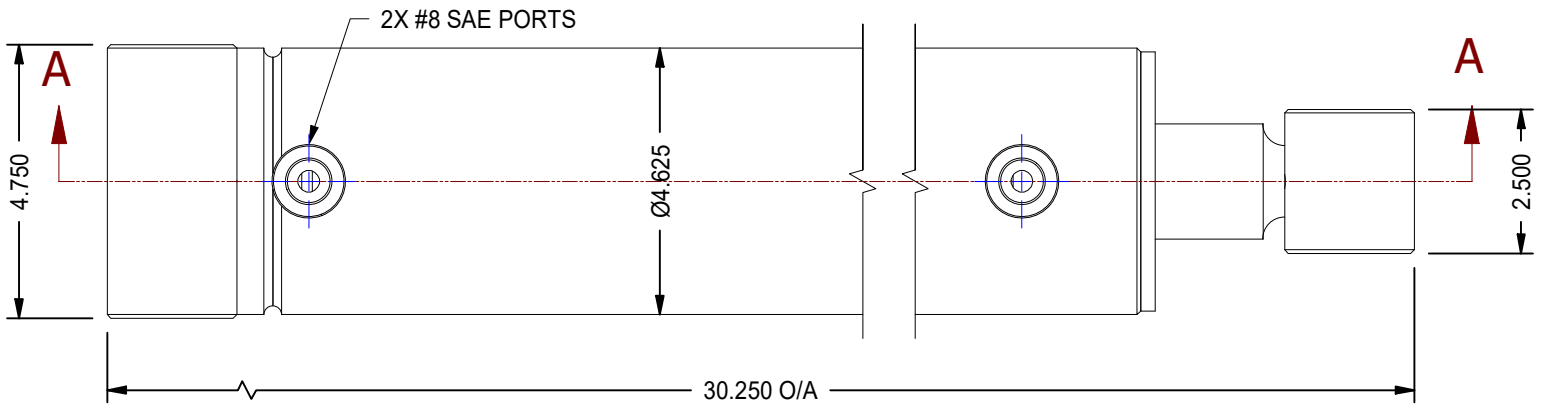


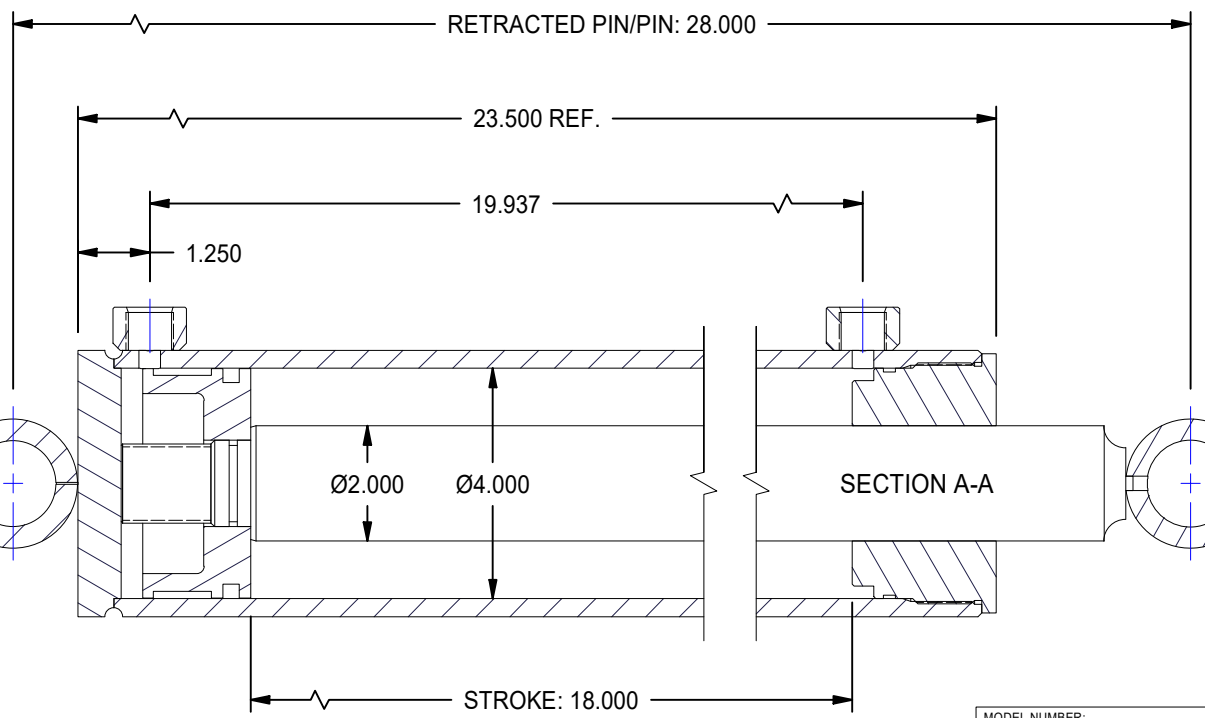
1

2



A

A

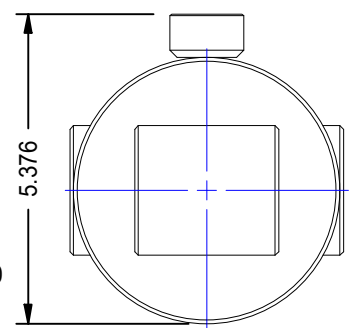



B

B

$\text{Ø}1.500$

$\text{Ø}1.500$



MODEL NUMBER:		PROJECT/CUSTOMER INFO:		DSGND:	DATE: 2012-10-16
 TITAN WORLDWIDE INC. <small>31 ton 5000 LBS. Clear full at 90% in case of power. One that stands out for greatness of achievement!</small> PHONE: 807-474-5337 FAX: 807-623-5692 EMAIL: info@titanworldwide.com WEB: www.titanworldwide.com		CAPACITY:		WEIGHT: N/A	
		SHEET: A		SHEET: 6 OF 14	
701 MONTREAL STREET THUNDER BAY, ON P7E 3P-2 CANADA TEL: 807-474-5337 FAX: 807-623-5692 www.titanworldwide.com		TITLE: TTN40TB18		DRAWING No:	
DATE		INTL		DESCRIPTION	
REV					

1

2

