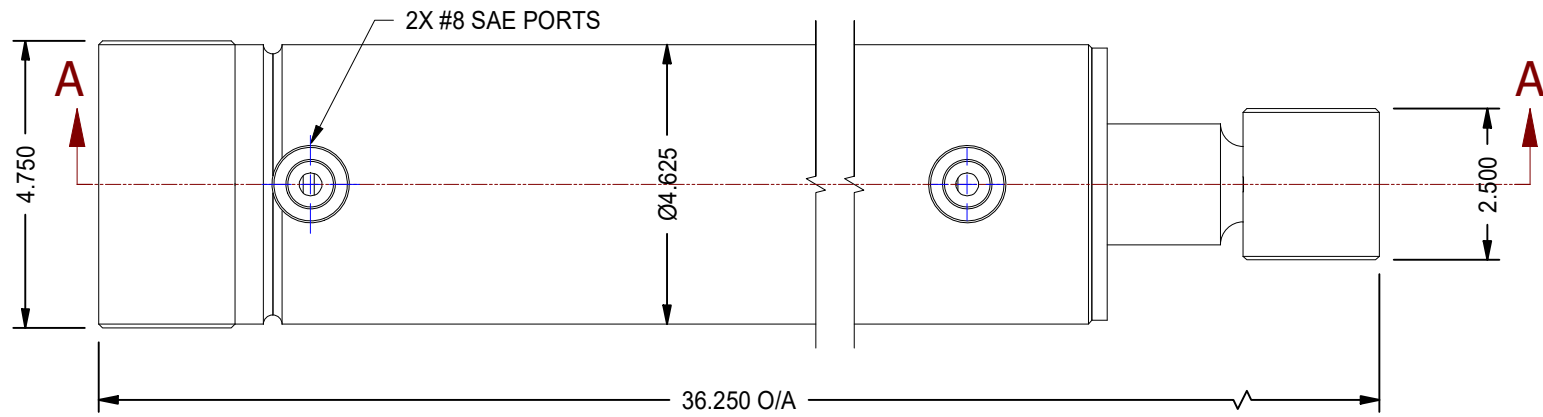


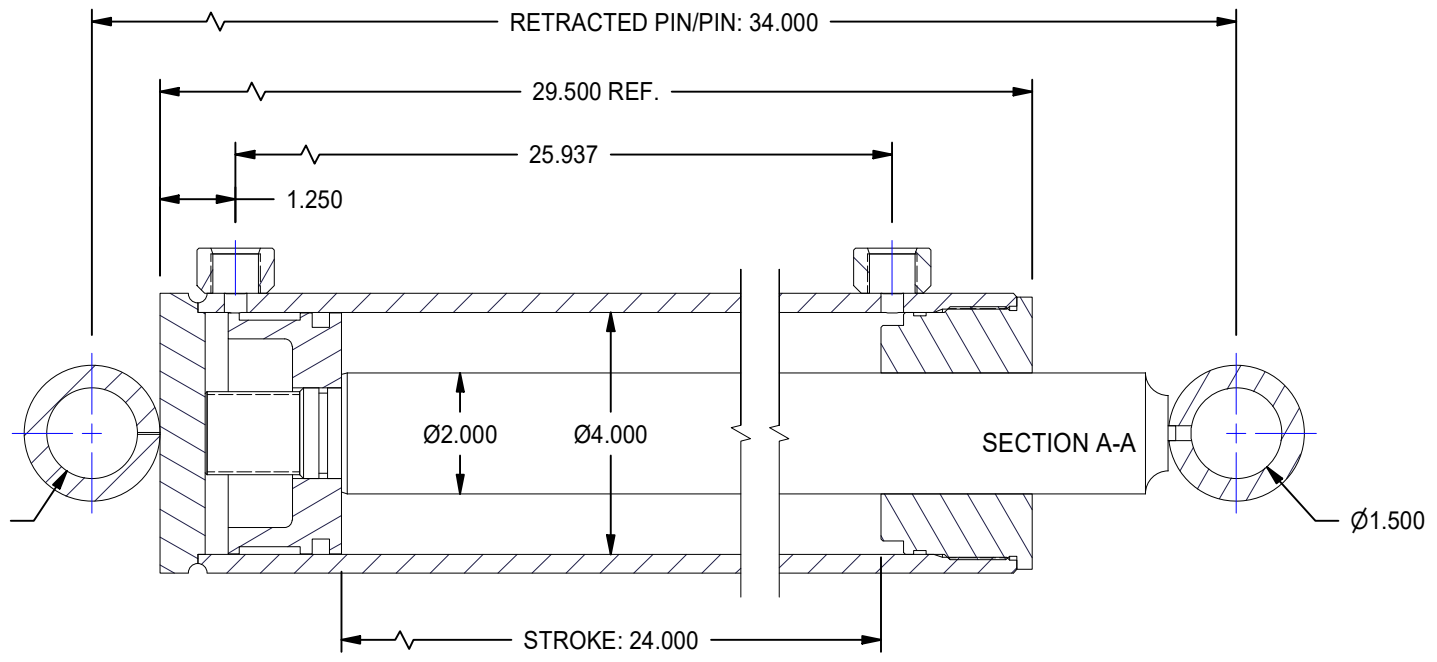
1

2



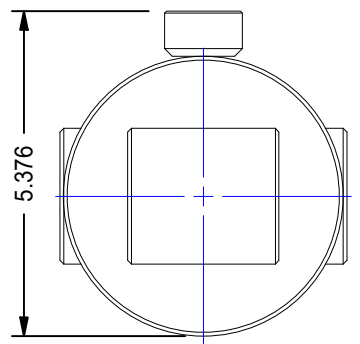
A


A



B

B



MODEL NUMBER:		PROJECT/CUSTOMER INFO:		DSGND:	DATE: 2012-10-16
 TITAN WORLDWIDE INC. <small>31 ton 5000 LBS. Clear fluid or glycol, in case of power. One that stands out for greatness of achievement!</small> PHONE: 807-474-5337 FAX: 807-623-5692 EMAIL: info@stanworldwide.com WEB: www.stanworldwide.com 701 MONTREAL STREET THUNDER BAY, ON P7E 3P-2 CANADA TEL: 807-474-5337 FAX: 807-623-5692 www.stanworldwide.com		CAPACITY:		WEIGHT: N/A	
		SHEET: A SHEET: 8 OF 14 FILENAME: TTN40TBXX.idw		TITLE: TTN40TB24	
DRAWING No:				REVISION:	

DATE	INTL	DESCRIPTION	REV

1

2