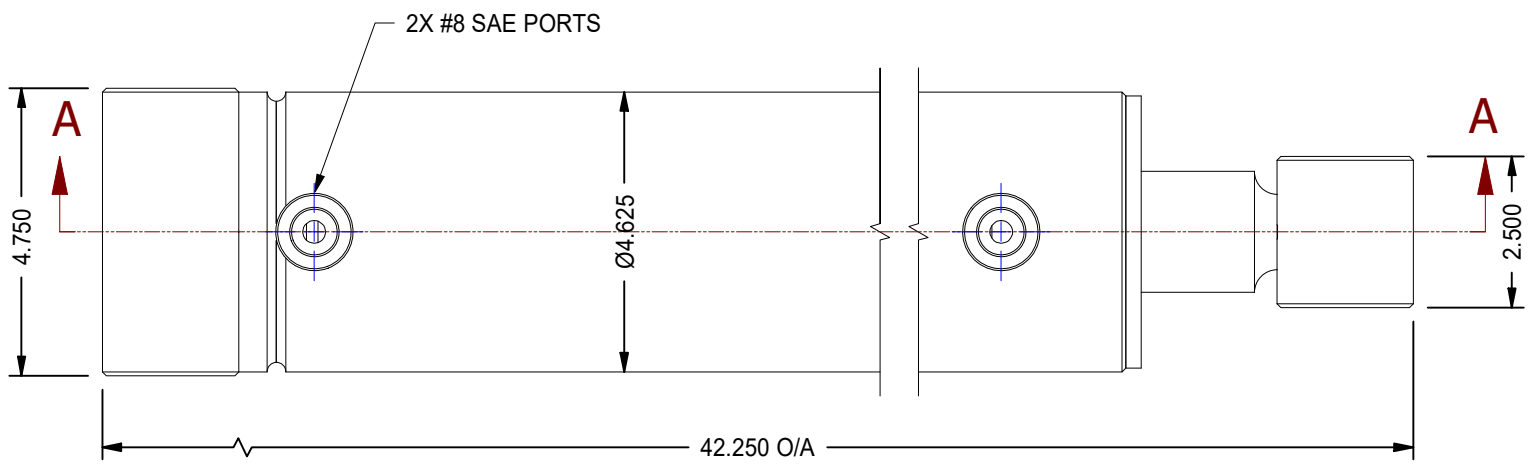


1

2

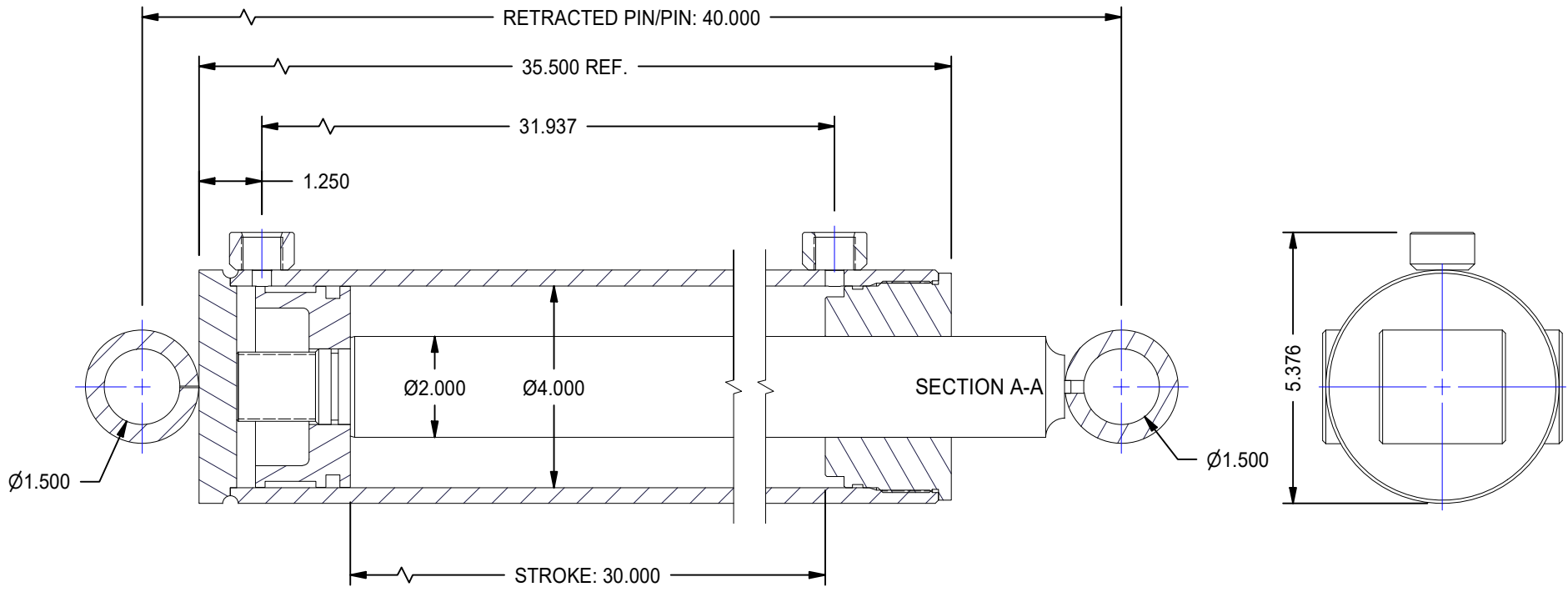
A

A



B

B




B

B

1

2

MODEL NUMBER:		PROJECT/CUSTOMER INFO:		DSGND:	DATE: 2012-10-16
 <b>TITAN WORLDWIDE INC.</b> <small>31 ton lifts</small> <small>Clear lift or operate in case of power. One that stands out for greatness in all respects!</small> <small>PHONE: 807-474-5337 FAX: 807-623-5692 EMAIL: info@titanworldwide.com WEB: www.titanworldwide.com</small>		CAPACITY:		WEIGHT: N/A	
		SHEET: A		SHEET: 10 OF 14	
701 MONTREAL STREET THUNDER BAY, ON P7E 3P-2 CANADA TEL: 807-474-5337 FAX: 807-623-5692 www.titanworldwide.com		TITLE: TTN40TB30		DRAWING No:	
				REVISION:	

DATE	INTL	DESCRIPTION	REV