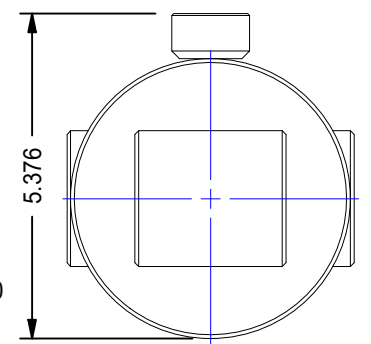
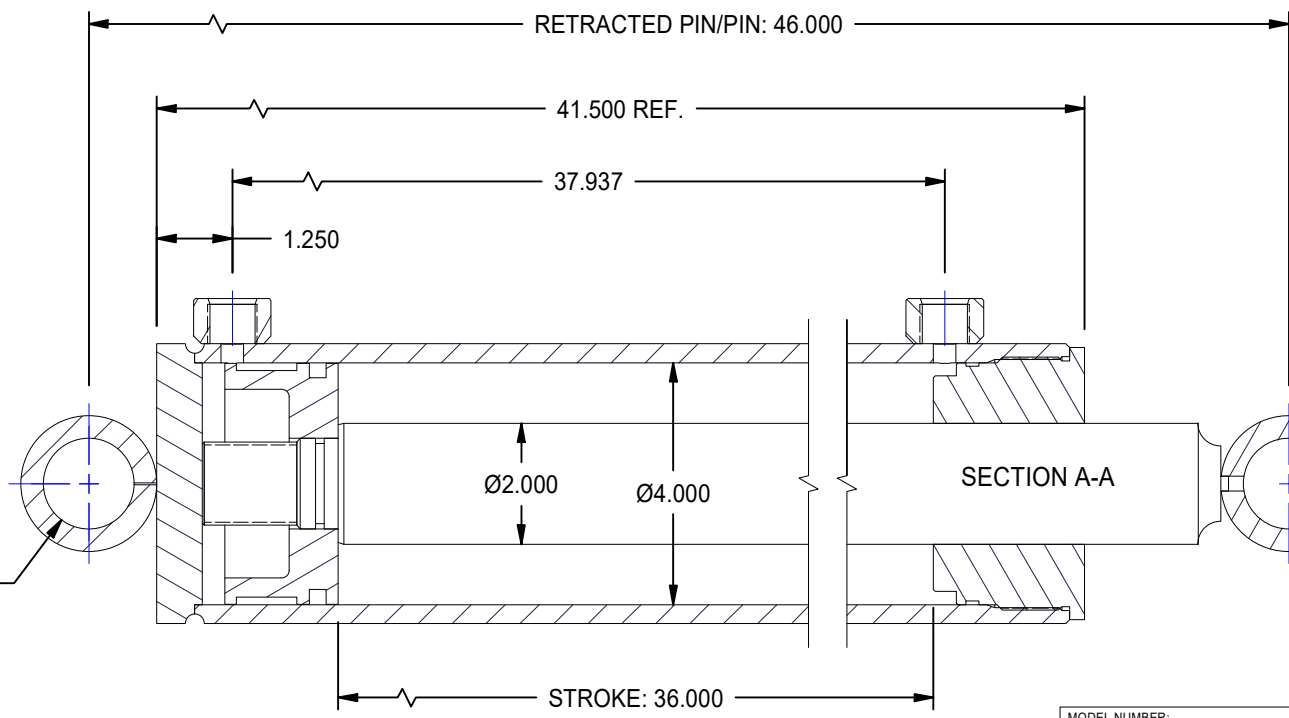
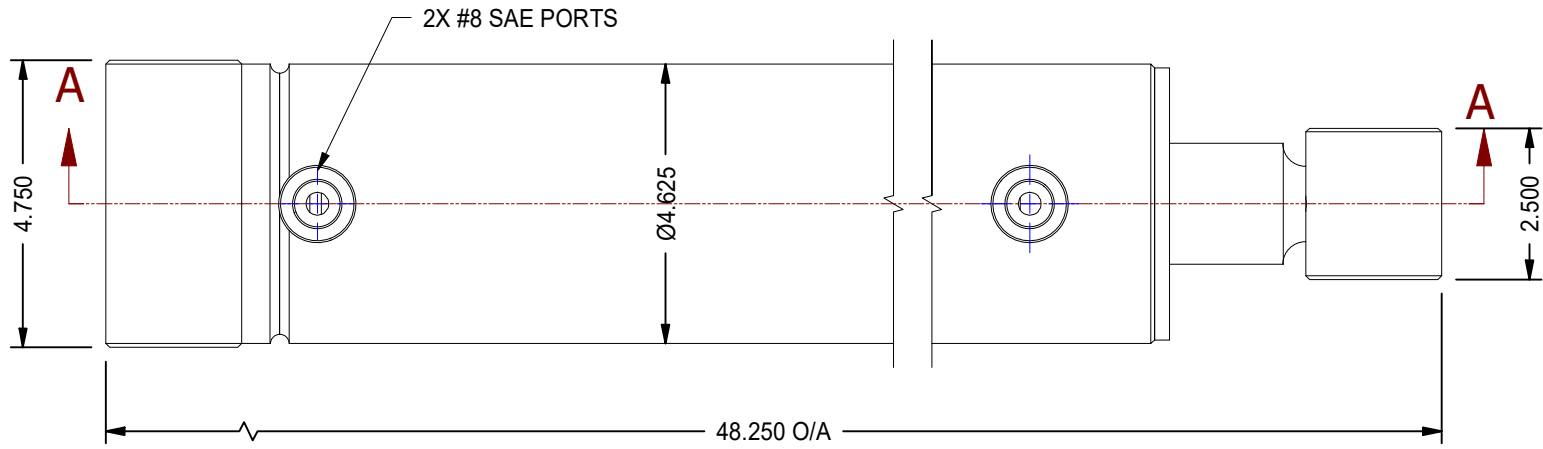


1

2




A

A

B

B

MODEL NUMBER:		PROJECT/CUSTOMER INFO:		DSGND:	DATE: 2012-10-16
 <b>TITAN WORLDWIDE INC.</b> <small>31 Year ISO 9001          Clear Fall or Ignition in case of power. One that stands out for          greatness of achievement!</small>		CAPACITY:		WEIGHT: N/A	
		SHEET SIZE: A		SHEET: 12 OF 14	FILENAME: TTN40TBXX.idw
701 MONTREAL STREET THUNDER BAY, ON P7E 3P-2 CANADA TEL: 807-474-5337 FAX: 807-423-5692 www.titanworldwide.com		TITLE: TTN40TB36		DRAWING No:	
DATE		INTL	DESCRIPTION	REV	REVISION:

1

2