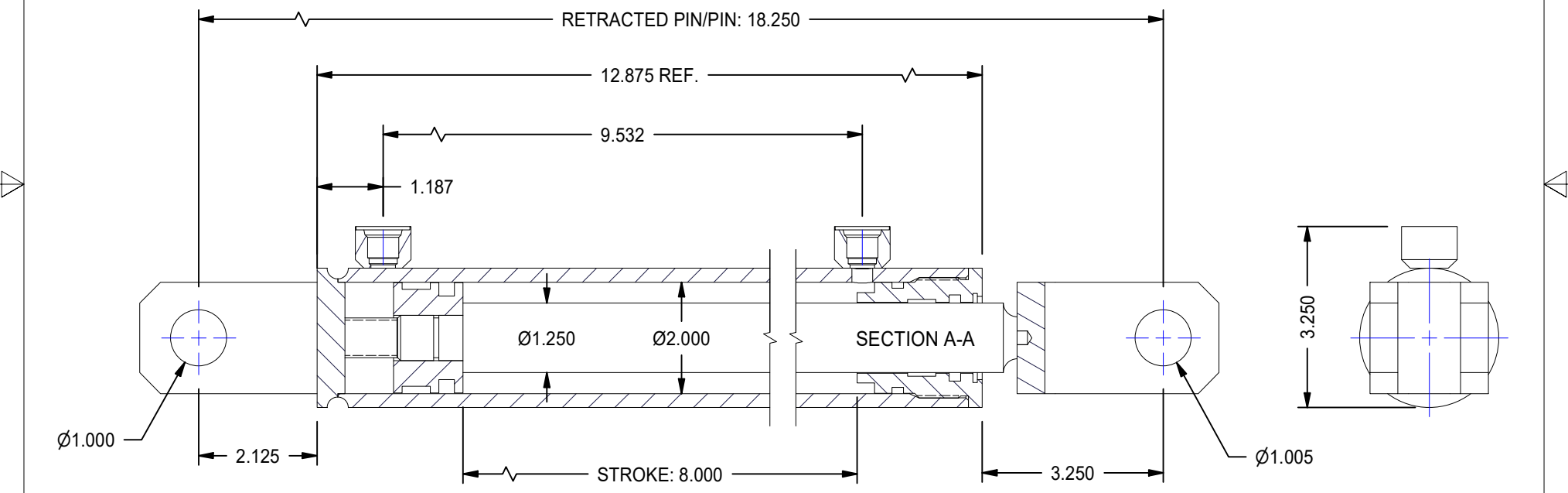
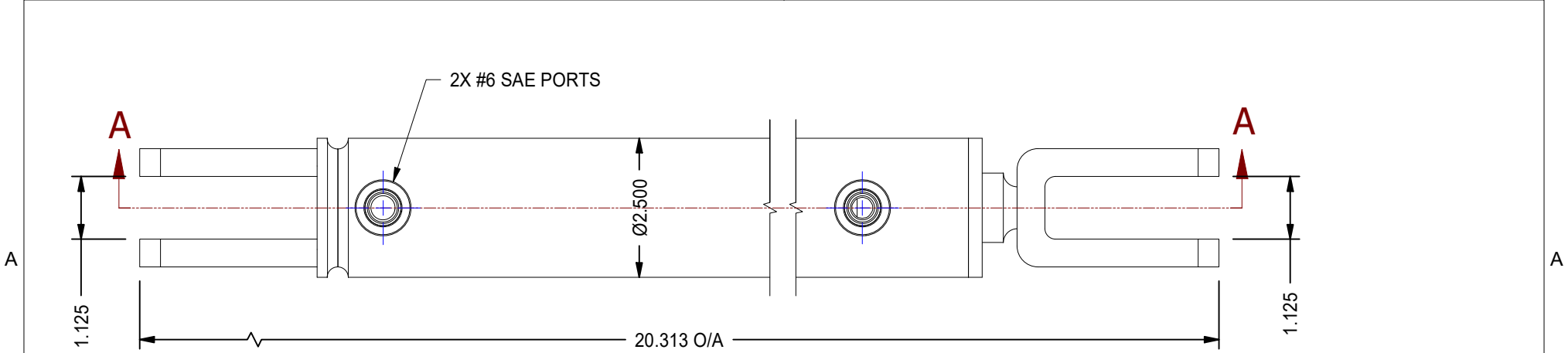


1

2




B

B

1

2

DATE	INTL	DESCRIPTION	REV

<b>MODEL NUMBER:</b>  <b>TITAN WORLDWIDE INC.</b> <small>31 Sun Blvd. Clear Hill, NJ 07022-1000 Clear Hill is adjacent to site of power. One that stands out for greatness of achievement!</small>		<b>PROJECT/CUSTOMER INFO:</b>		<b>DSGND:</b>	<b>DATE:</b> 2012-01-02
701 MONTREAL STREET THUNDER BAY, ON P7E 3P-2 CANADA TEL: 807-474-5337 FAX: 807-623-5692 www.titanworldwide.com		<b>SHEET:</b> A <b>SIZE:</b> A <b>SHEET:</b> 3 OF 14 <b>FILENAME:</b> TTN20BBXX.idw		<b>CAPACITY:</b> N/A	
<b>TITLE:</b> TTN20BB08		<b>WEIGHT:</b> N/A		<b>REVISION:</b>	