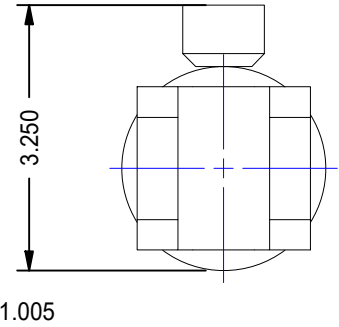
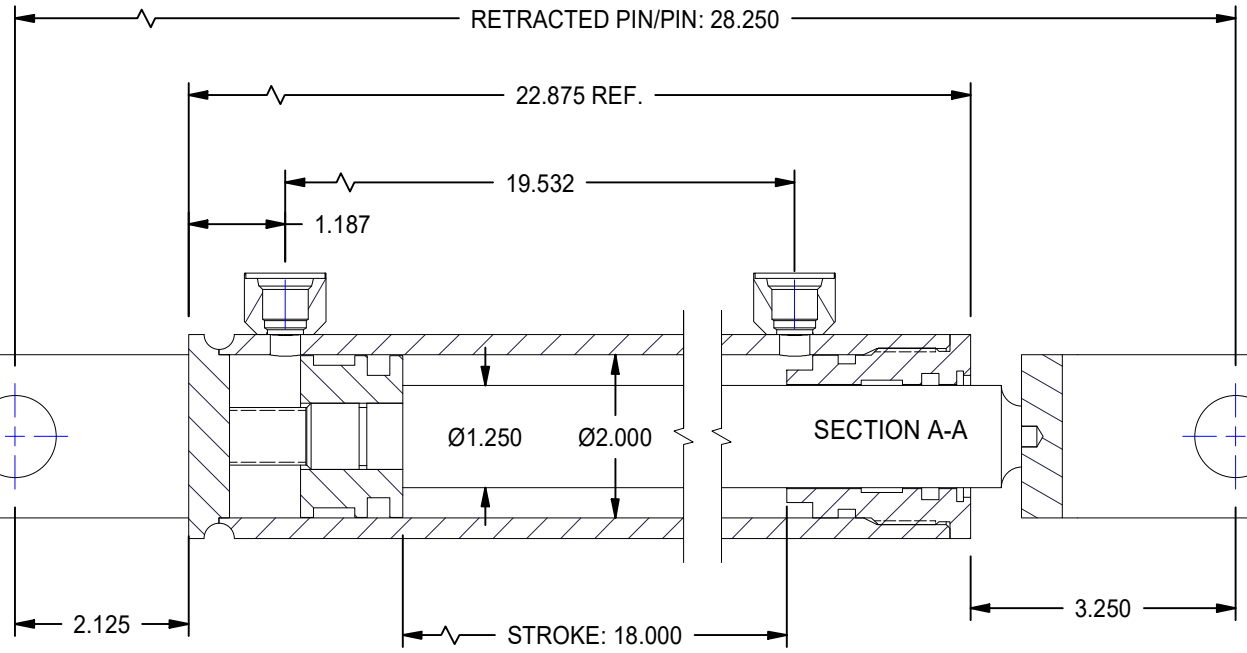
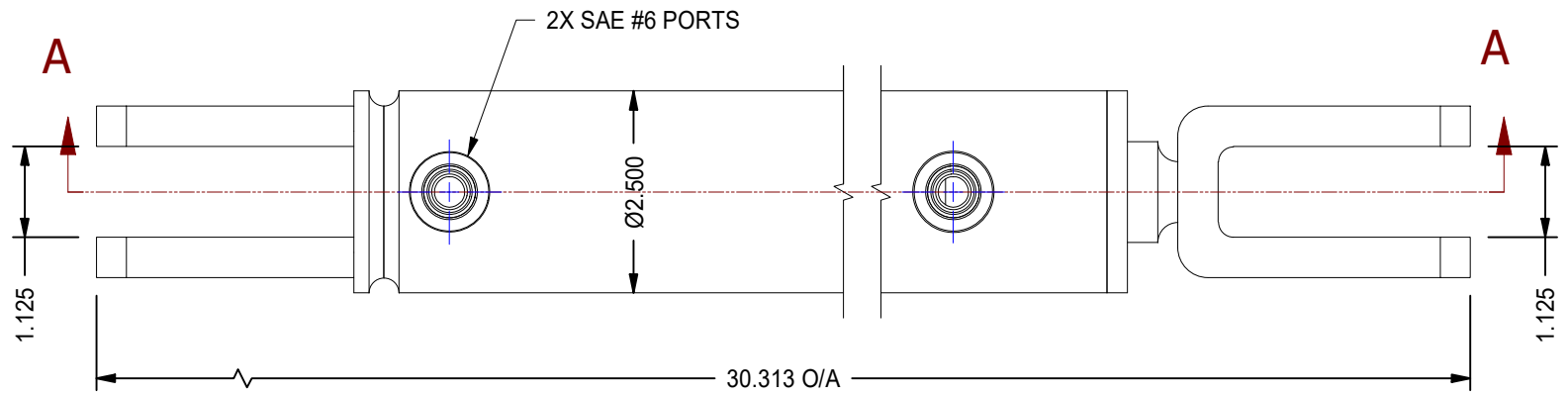



1

2



MODEL NUMBER:		PROJECT/CUSTOMER INFO:		DSGND:	DATE: 2012-01-02
 TITAN WORLDWIDE INC. <small>31 Sun Blvd. Clear Hill or adjacent to site of power. One that stands out for greatness of achievement!</small>		CAPACITY:		WEIGHT: N/A	
		SHEET: A		SHEET: 7 OF 14	FILENAME: TTN20BBXX.idw
701 MONTREAL STREET THUNDER BAY, ON P7E 3P2 CANADA TEL: 807-474-5337 FAX: 807-423-5692 www.titanworldwide.com		TITLE: TTN20BB18		DRAWING No:	
DATE		INTL	DESCRIPTION	REV	REVISION:

1

2