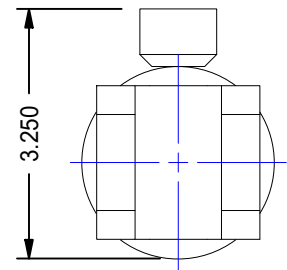
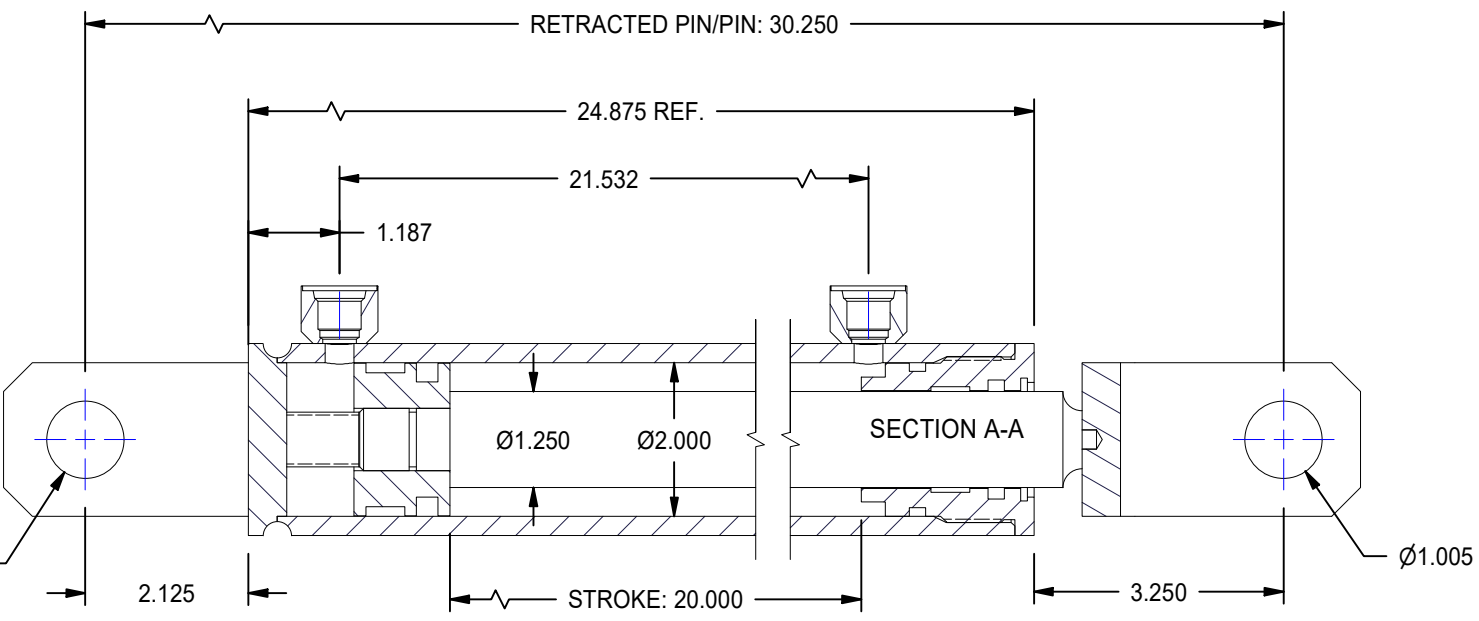
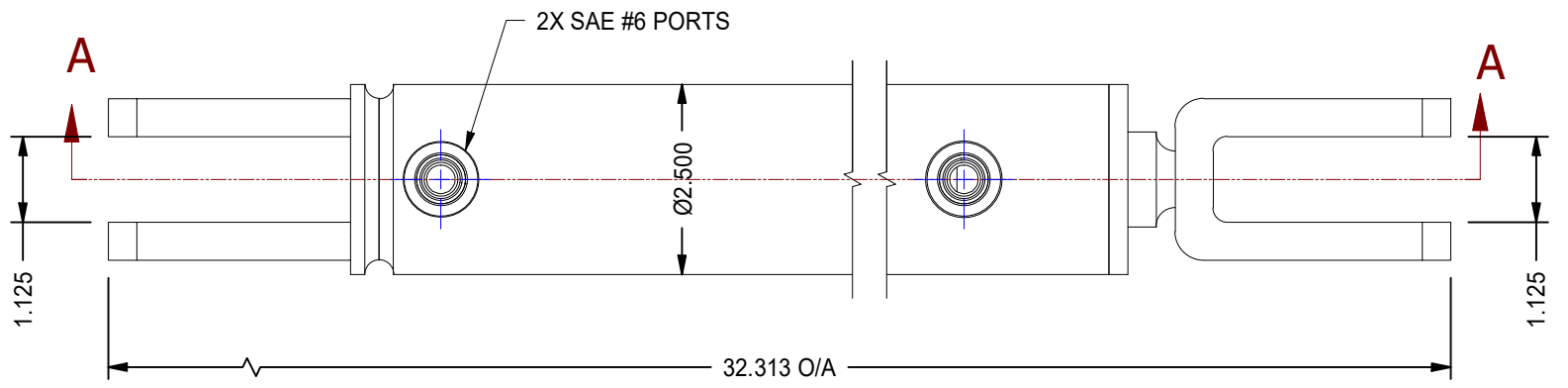



1

2



MODEL NUMBER:		PROJECT/CUSTOMER INFO:		DSGND:	DATE: 2012-01-02
 TITAN WORLDWIDE INC. <small>31 rue 50th St. Clear Fall in liquid, in case of power. One that stands out for greatness of achievement!</small>		CAPACITY:		WEIGHT: N/A	
		SHEET: A		SHEET: 8 OF 14	
701 MONTREAL STREET THUNDER BAY, ON P7E 3P-2 CANADA TEL: 807-474-5337 FAX: 807-423-5692 www.titanworldwide.com		TITLE: TTN20BB20		DRAWING No:	
DATE		INTL	DESCRIPTION	REV	REVISION:

1

2