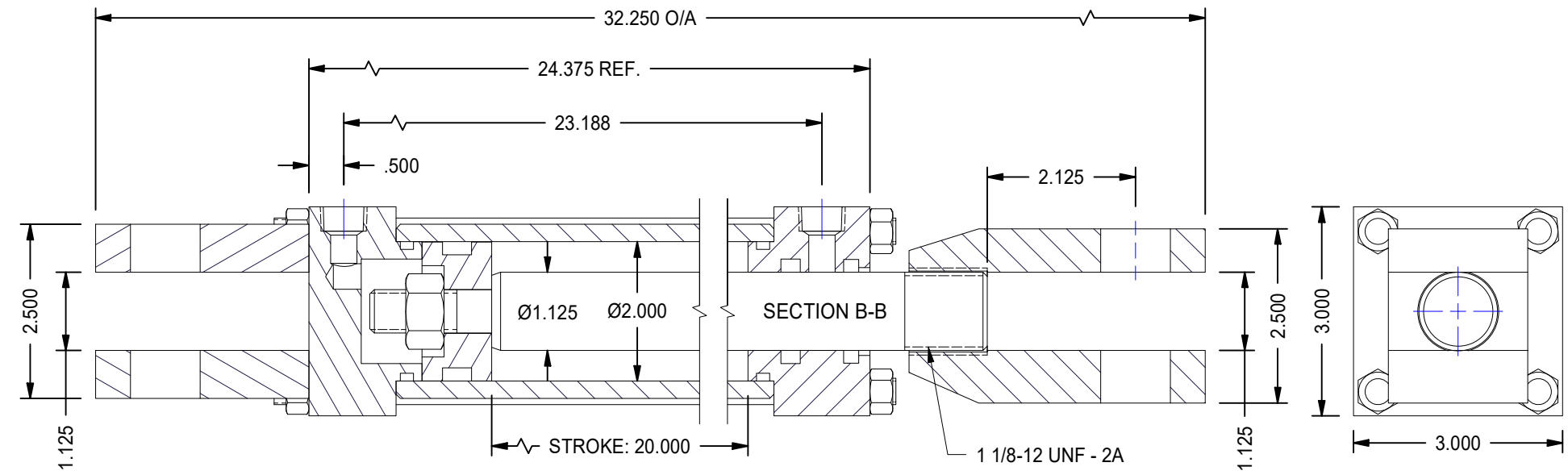
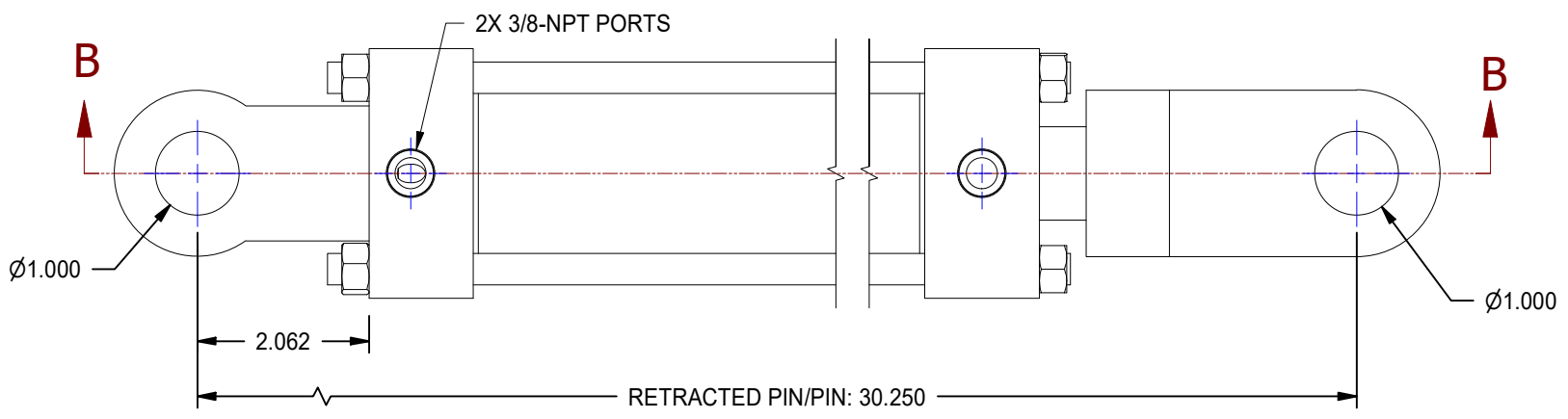



1

2



|  |  |                        |  |                     |                  |
|--|--|------------------------|--|---------------------|------------------|
| MODEL NUMBER:  |  | PROJECT/CUSTOMER INFO: |  | DSGND: aashi        | DATE: 2012-07-04 |
|  <b>TITAN WORLDWIDE INC.</b><br><small>31 ton 5000 L</small><br><small>Clear fluid or glycol in case of power. One that stands out for greatness of achievement!</small><br><small>PHONE: 807-474-5337 FAX: 807-623-5692 EMAIL: info@titanworldwide.com WEB: www.titanworldwide.com</small> |  | CAPACITY:              |  | WEIGHT: N/A         |                  |
|  |  | SHEET: A               |  | SHEET: 9 OF 12      |                  |
| 701 MONTREAL STREET<br>THUNDER BAY, ON<br>P7E 3P-2<br>CANADA<br>TEL: 807-474-5337<br>FAX: 807-623-5692<br>www.titanworldwide.com   |  | TITLE: TTN20TR20       |  | DRAWING No: 20AGU20 |                  |
|  |  |                        |  |                     | REVISION:        |

| DATE | INTL | DESCRIPTION | REV |
|------|------|-------------|-----|
|      |      |             |     |

1

2