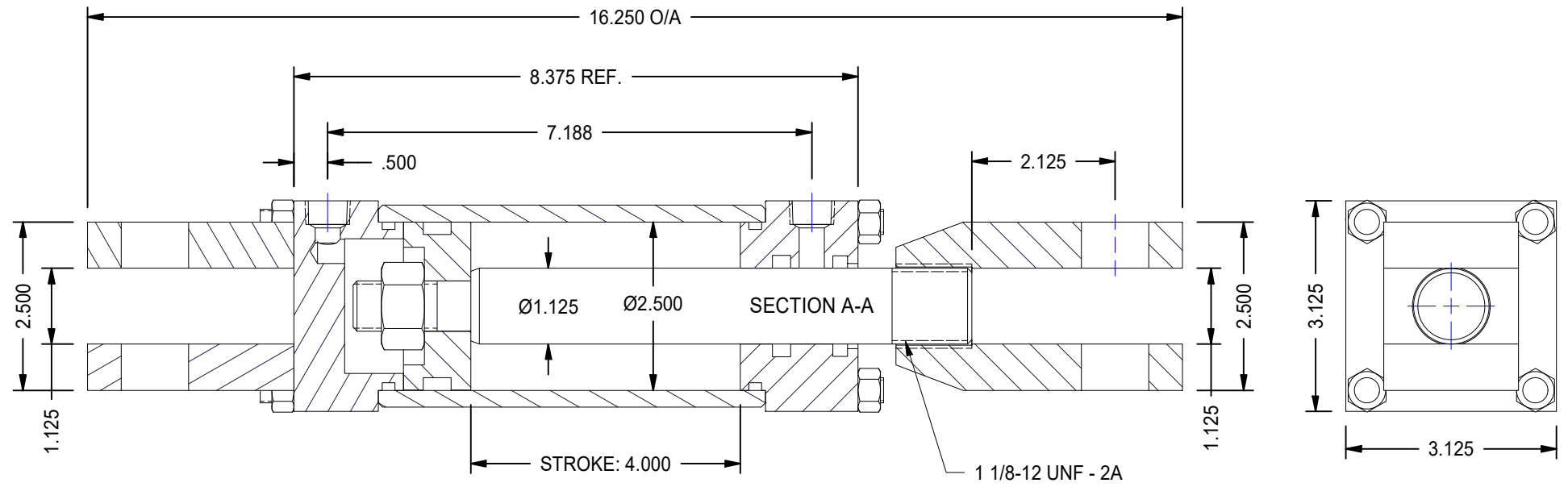
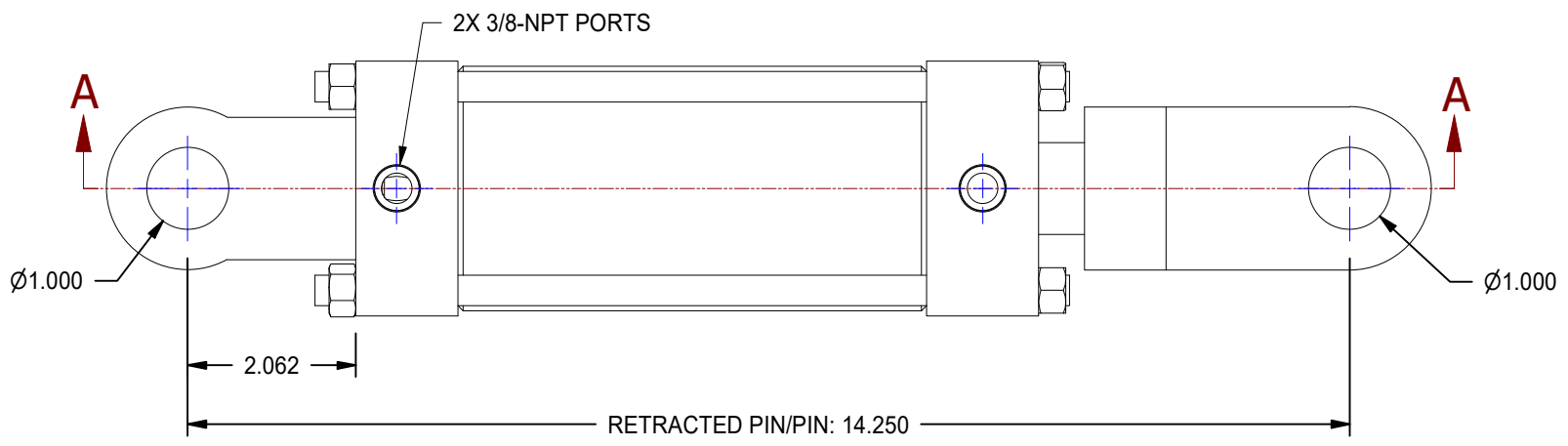



1

2



|  |  |                        |  |                |                  |
|--|--|------------------------|--|----------------|------------------|
| MODEL NUMBER:  |  | PROJECT/CUSTOMER INFO: |  | DSGND:         | DATE: 2012-07-04 |
|  <b>TITAN WORLDWIDE INC.</b><br><small>31 Year ISO 9001</small><br><small>Clear Fall all heights, in state or power. One that stands out for greatness of achievement!</small><br><small>PHONE: 807-474-5337 FAX: 807-623-5692 EMAIL: info@titanworldwide.com WEB: www.titanworldwide.com</small> |  | CAPACITY:              |  | WEIGHT: N/A    |                  |
|  |  | SHEET SIZE: A          |  | SHEET: 1 OF 12 |                  |
| 701 MONTREAL STREET<br>THUNDER BAY, ON<br>P7E 3P-2<br>CANADA<br>TEL: 807-474-5337<br>FAX: 807-623-5692<br>www.titanworldwide.com   |  | TITLE: TTN25TR04       |  | DRAWING No:    |                  |
| DATE   |  | INTL                   |  | DESCRIPTION    |                  |
| REV  |  |                        |  |                |                  |

1

2