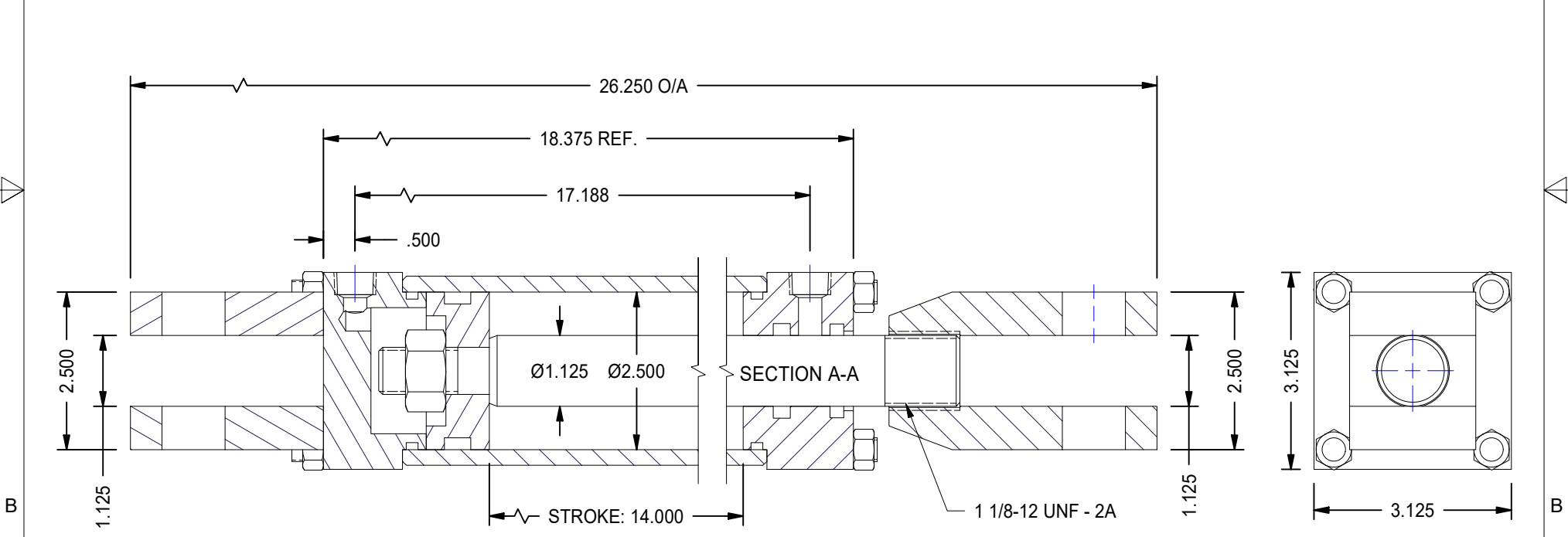
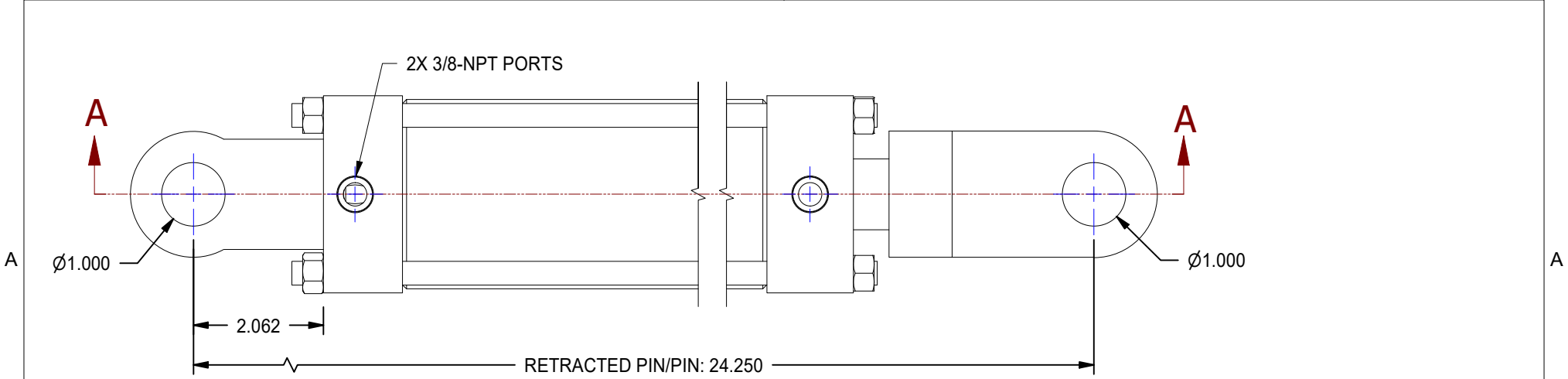



1

2



MODEL NUMBER:		PROJECT/CUSTOMER INFO:		DSGND:	DATE: 2012-07-04
 <b>TITAN WORLDWIDE INC.</b> <small>21 rue 1000 S.          Clear Fall is required in case of power. One that stands out for          greatness of achievement!</small>		CAPACITY:		WEIGHT: N/A	
		SHEET SIZE: A		SHEET: 6 OF 12	FILENAME: TTN25TRXX.idw
701 MONTREAL STREET THUNDER BAY, ON P7E 3P-2 CANADA TEL: 807-474-5337 FAX: 807-623-5692 www.titanworldwide.com		TITLE: TTN25TR14		DRAWING No:	
DATE		INTL	DESCRIPTION	REV	REVISION:

1

2