

1

2

.375 1.750

2X #10 SAE PORTS

.750 2.001 24.250

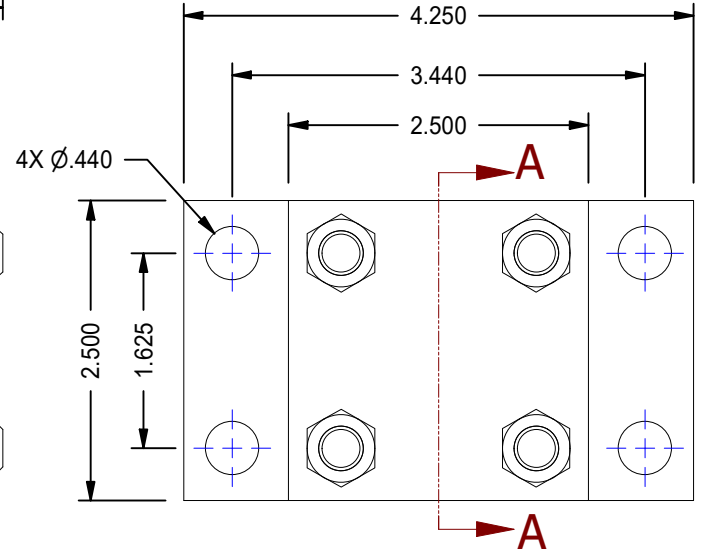
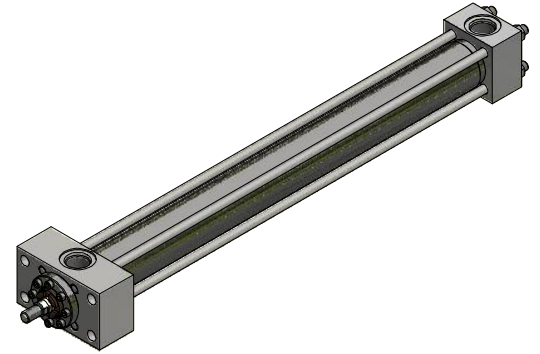
1.001 1.000 20.875 22.625

SECTION A-A

Ø.625 Ø1.500

STROKE: 18.000

7/16-20 UNF - 2A



A

A


B

B

1

2

| DATE | INTL | DESCRIPTION | REV |
|------|------|-------------|-----|
| | | | |

| | | | | | |
|---|--|---|--|---|-------------------------|
| MODEL NUMBER:  TITAN WORLDWIDE INC. <small>71 Sun Blvd., Clear Hill or Ogdenville, or Lake or Power. One that stands out for greatness of achievement!</small> | | PROJECT/CUSTOMER INFO: | | DSGND: | DATE: 2013-03-07 |
| 701 MONTREAL STREET THUNDER BAY, ON P7E 3P-2 CANADA TEL: 807-474-5337 FAX: 807-423-5692 www.titanworldwide.com | | CAPACITY: 3000 PSI WEIGHT: 17.418 lbmass | | FILENAME: TRH1.50ME5LT14X18.00.idw | |
| SHEET SIZE: A | | SHEET: 1 OF 1 | | TITLE: TRH1.50ME5LT14X18.00 | |
| DRAWING No: | | | | | REVISION: |