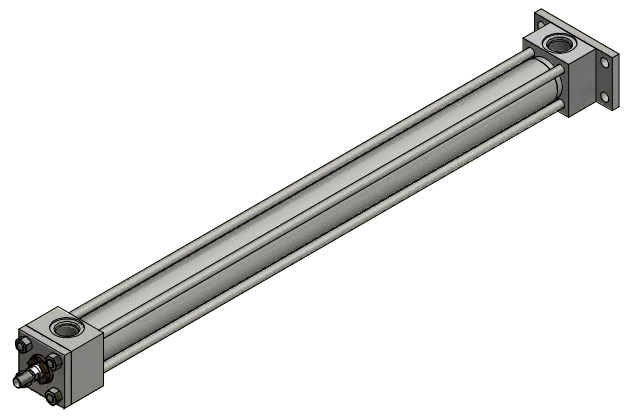
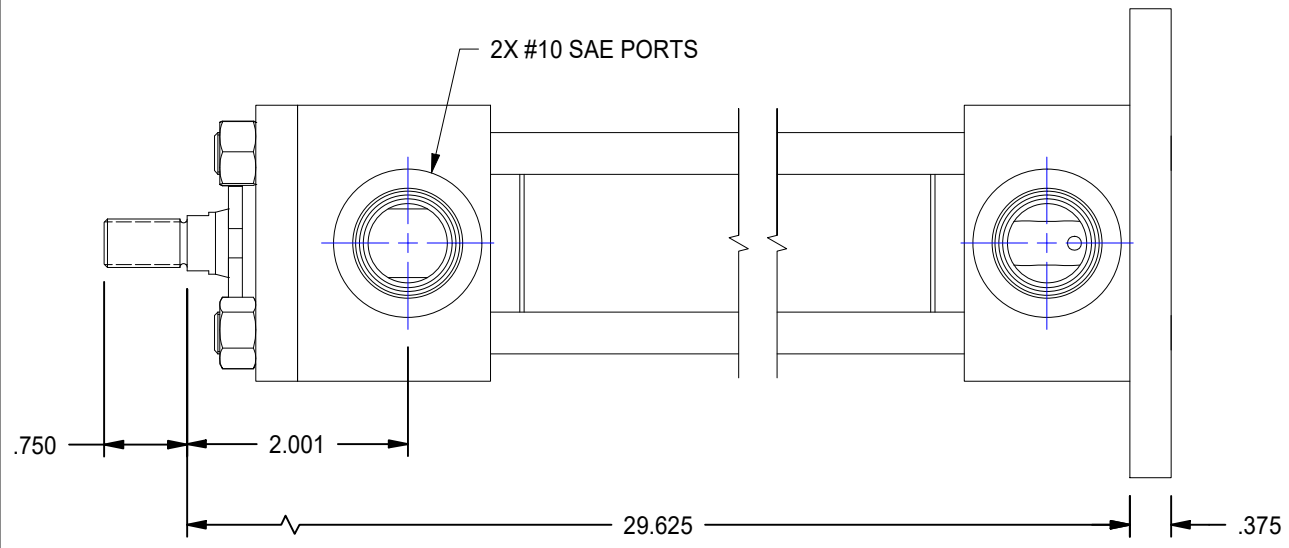


1

2

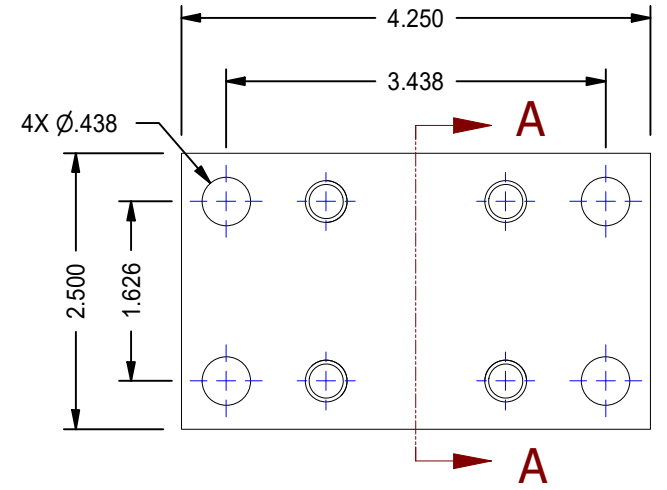
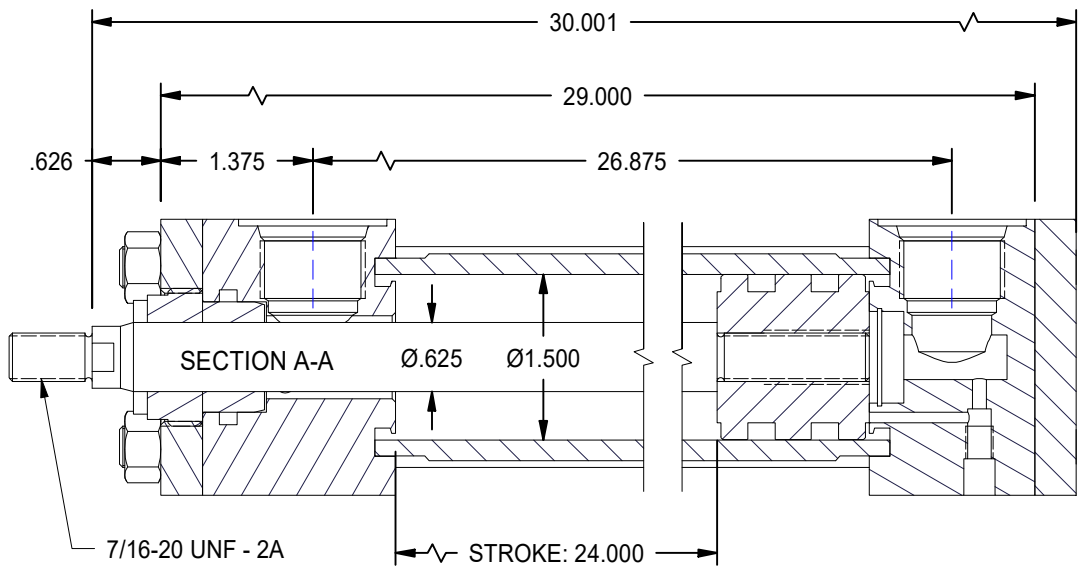
A

A



B


B



1

2

DATE	INTL	DESCRIPTION	REV

MODEL NUMBER:		PROJECT/CUSTOMER INFO:		DSGND:	DATE: 2013-03-07	
 <b>TITAN WORLDWIDE INC.</b> <small>31 Year ISO 9001 Clear title of goods in case of power. One that stands out for greatness of achievement!</small> PHONE: 807-474-5337 FAX: 807-623-5692 EMAIL: info@stanworldwide.com WEB: www.stanworldwide.com 701 MONTREAL STREET THUNDER BAY, ON P7E 3P-2 CANADA TEL: 807-474-5337 FAX: 807-623-5692 www.stanworldwide.com		CAPACITY:	3000 PSI	SHEET SIZE:	A	
		WEIGHT:	19.806 lbmass	SHEET:	1 OF 1	
		FILENAME:		TRH1.50MF2LT14X24.00.idw		
		TITLE:				TRH1.50MF2LT14X24.00
DRAWING No:					REVISION:	