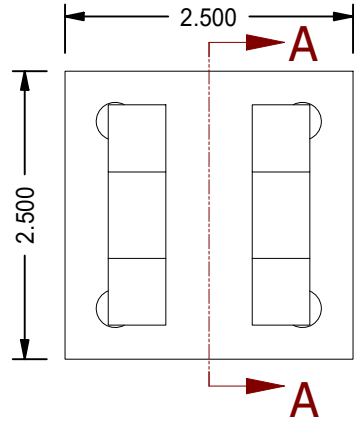
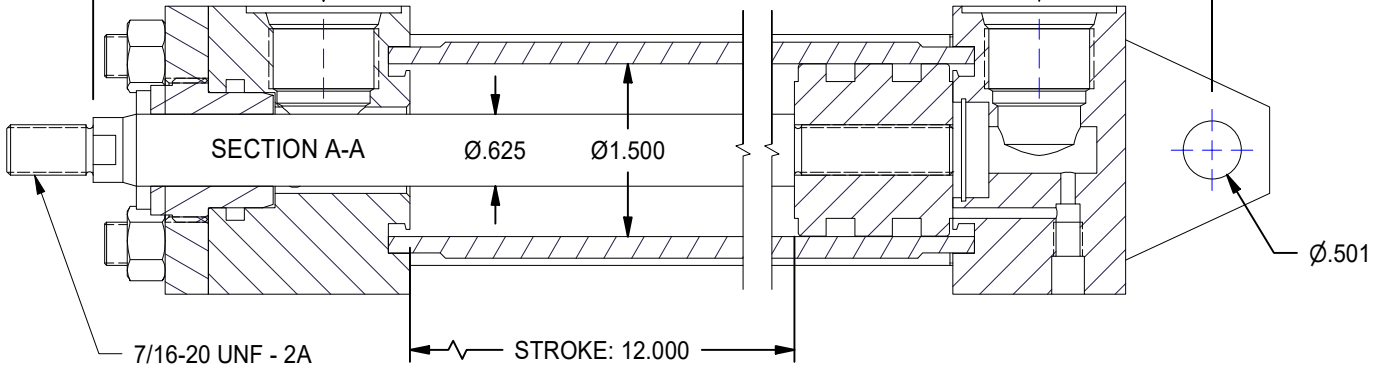
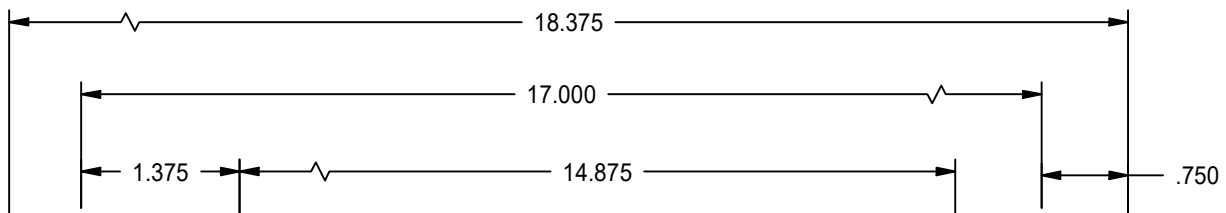
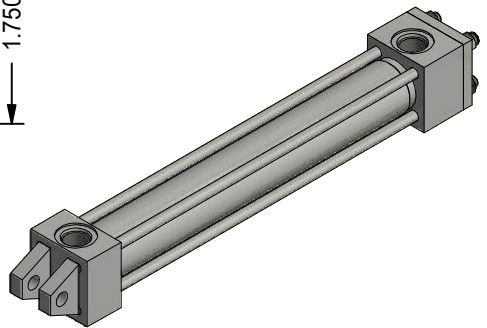
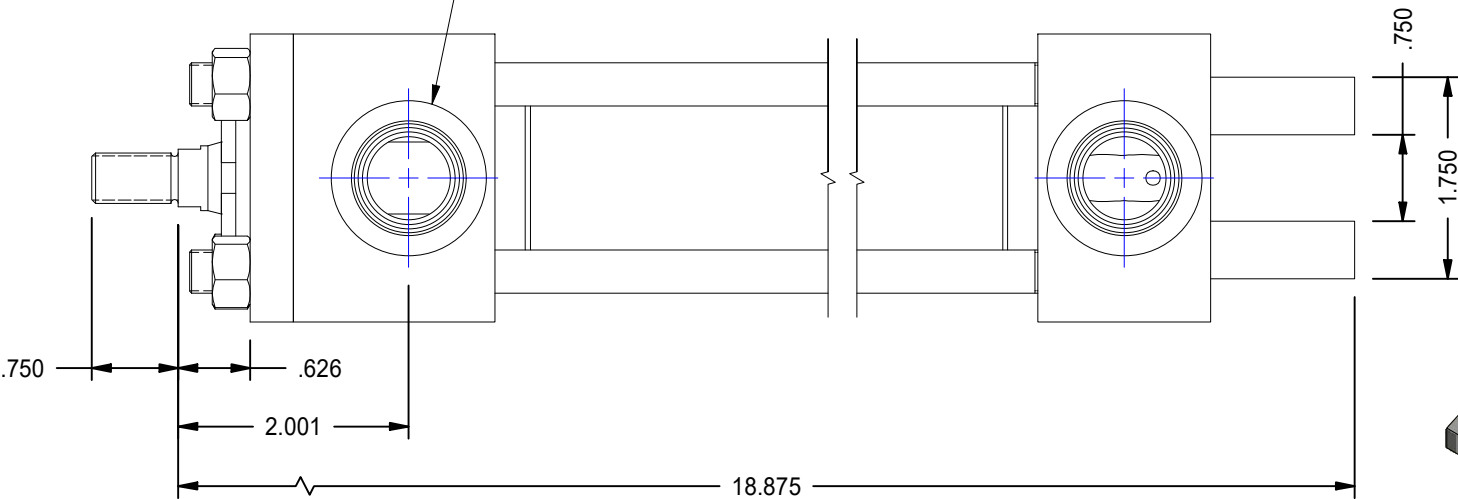


1

2

2X #12 SAE PORTS




A

A

B

B

MODEL NUMBER: 3000 PSI		PROJECT/CUSTOMER INFO:		DSGND:	DATE: 2011-12-05
 TITAN WORLDWIDE INC. <small>31 Van St. St.</small> <small>Clear Lake, CA 94505, U.S.A.</small> <small>Clear Lake is registered in state of power. One that stands out for greatness of achievement!</small> <small>PHONE: 807-474-5337 FAX: 807-623-5692 EMAIL: info@titanworldwide.com WEB: www.titanworldwide.com</small>		CAPACITY:	3000 PSI	SHEET SIZE: A SHEET: 1 OF 1 FILENAME: TRH1.50MP1LT14X12.00.idw	
		WEIGHT:	13.325 lbmass	TITLE: TRH1.50MP1LT14X12.00	
701 MONTREAL STREET THUNDER BAY, ON P7E 3P-2 CANADA TEL: 807-474-5337 FAX: 807-623-5692 www.titanworldwide.com				DRAWING No:	
					REVISION: A

DATE	INTL	DESCRIPTION	REV

1

2