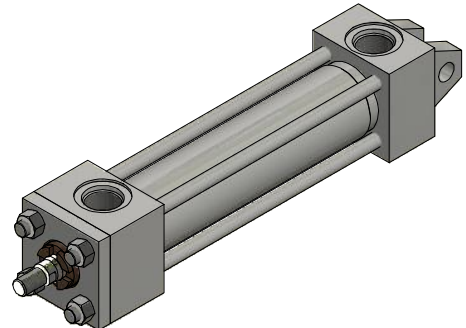
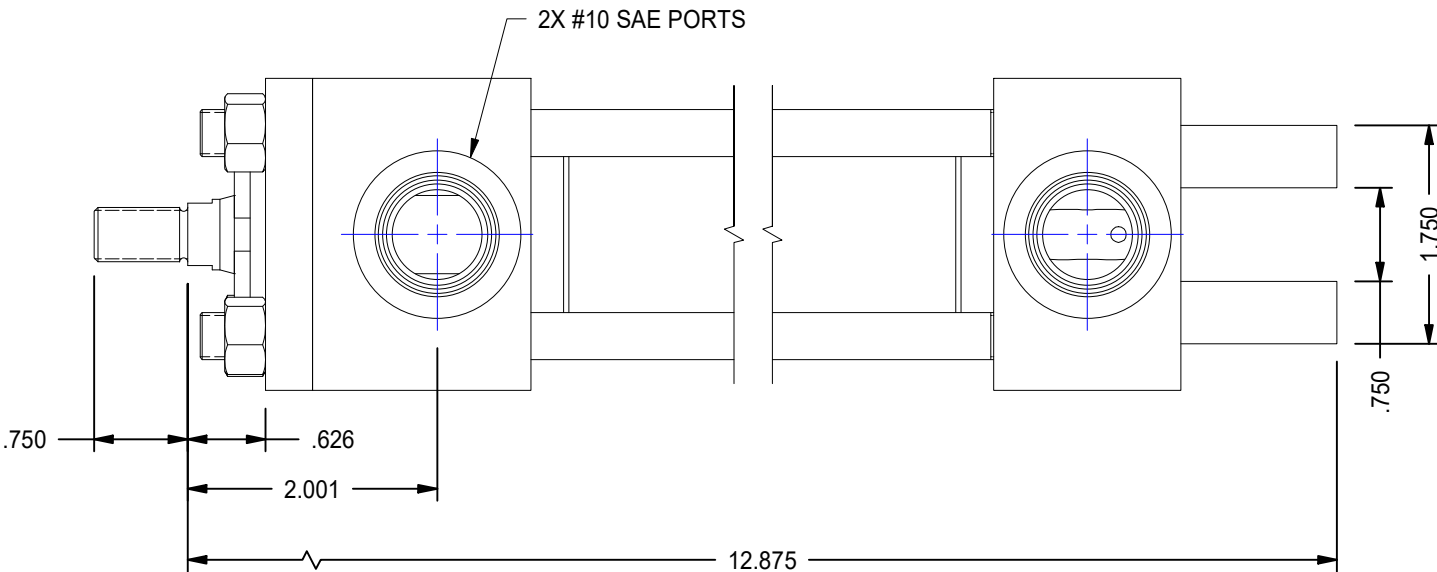


1

2

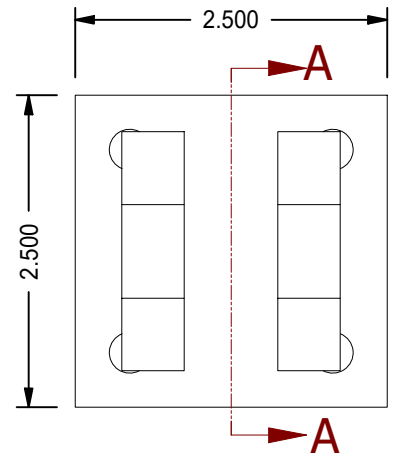
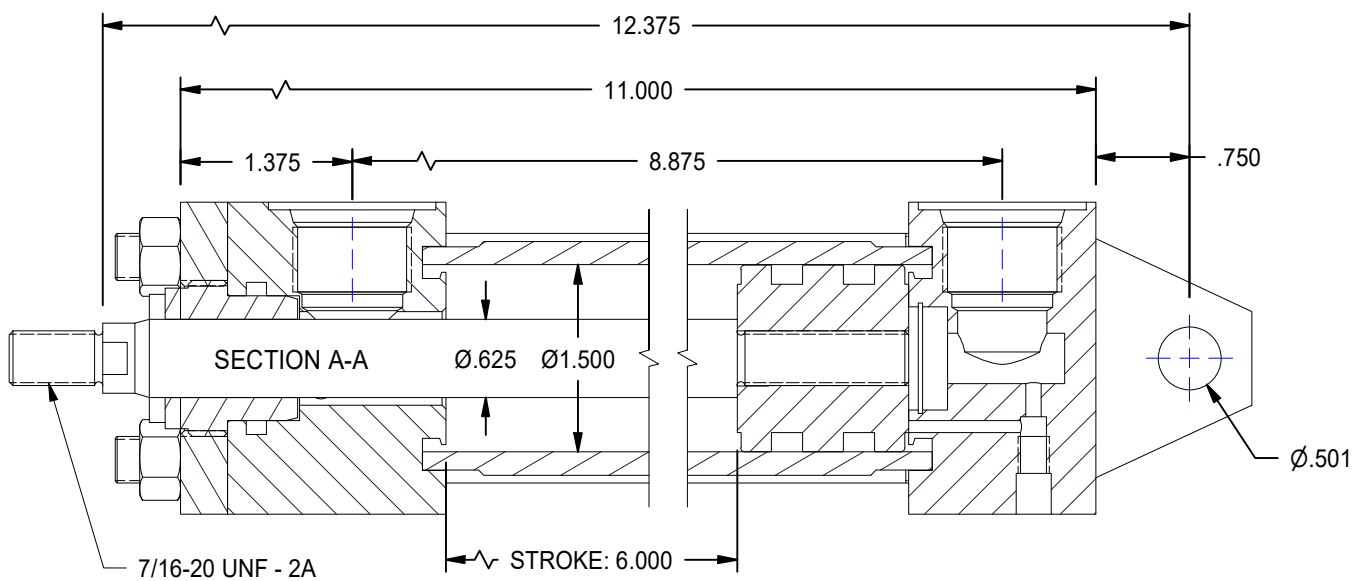
A


A



B

B



MODEL NUMBER:		PROJECT/CUSTOMER INFO:		DSGND:	DATE: 2011-12-05	
 TITAN WORLDWIDE INC. <small>31 Year ISO 9001 Clear that all products are made in Canada. One that stands out for greatness in achievement!</small> PHONE: 807-474-5337 FAX: 807-623-5692 EMAIL: info@titanworldwide.com WEB: www.titanworldwide.com 701 MONTREAL STREET THUNDER BAY, ON P7E 3P2 CANADA TEL: 807-474-5337 FAX: 807-623-5692 www.titanworldwide.com		CAPACITY:	3000 PSI	SHEET SIZE:	A	
		WEIGHT:	10.359 lbmass	SHEET:	1 OF 1	
		FILENAME:		TRH1.50MP1LT14X6.00.idw		
		TITLE:				TRH1.50MP1LT14X6.00
DRAWING No:					REVISION:	
					A	

1

2

DATE	INTL	DESCRIPTION	REV

1