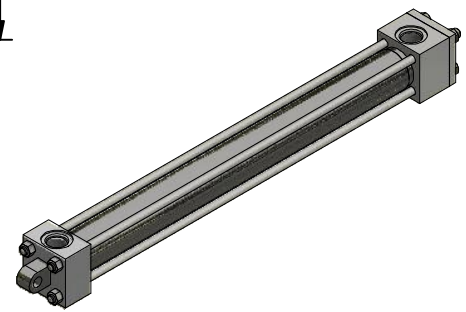
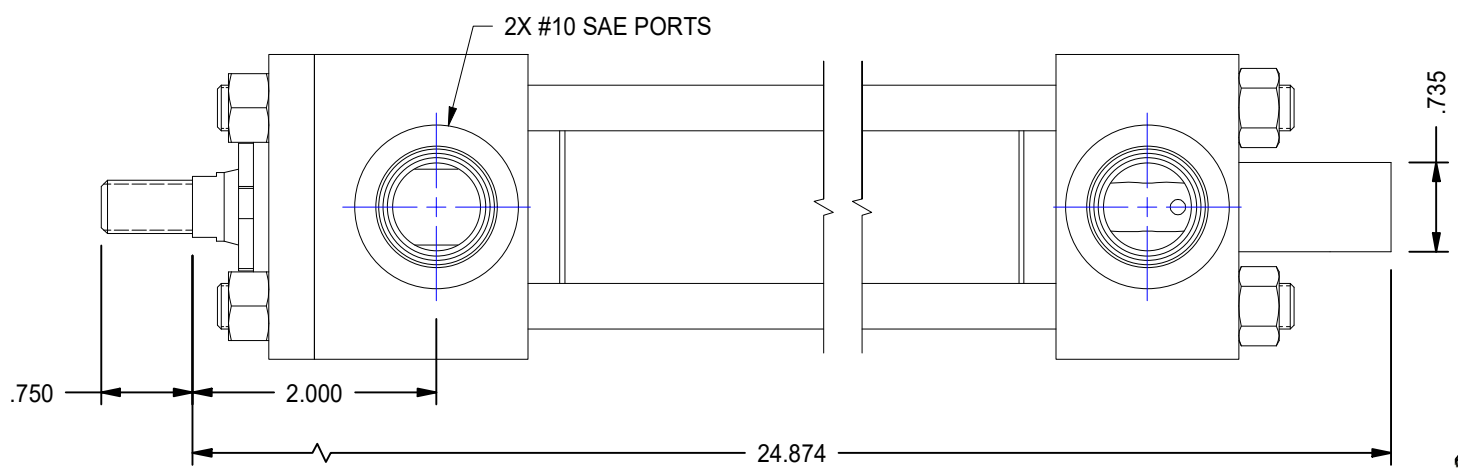


1

2

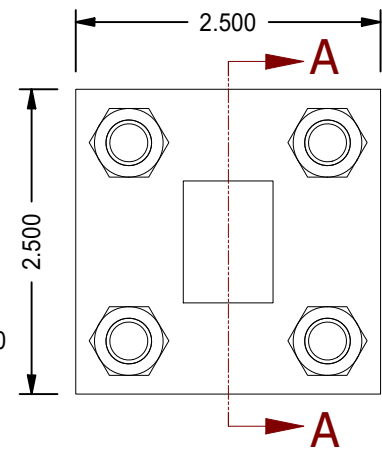
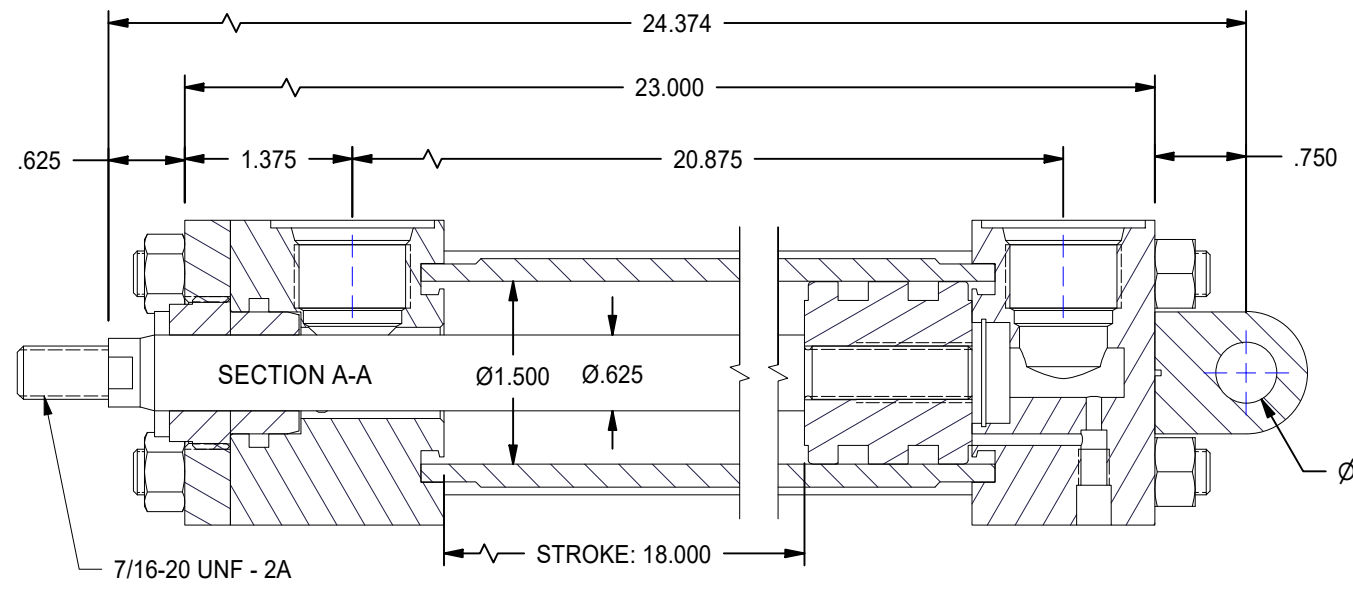
A

A



B


B



1

2

DATE	INTL	DESCRIPTION	REV

MODEL NUMBER:  TITAN WORLDWIDE INC. <small>31 Sun Blvd. Clear Hill or Republic, in state or power. One that stands out for greatness of achievement!</small> <small>PHONE: 807-474-5337 FAX: 807-623-5692 EMAIL: info@titanworldwide.com WEB: www.titanworldwide.com</small>		PROJECT/CUSTOMER INFO: DSGND: DATE: 2013-03-07 CAPACITY: 3000 PSI WEIGHT: 16.099 lbmass	
SHEET: A SIZE: SHEET: 1 OF 1 FILENAME: TRH1.50MP3LT14X18.00.idw	TITLE: TRH1.50MP3LT14X18.00		
DRAWING No:			REVISION: