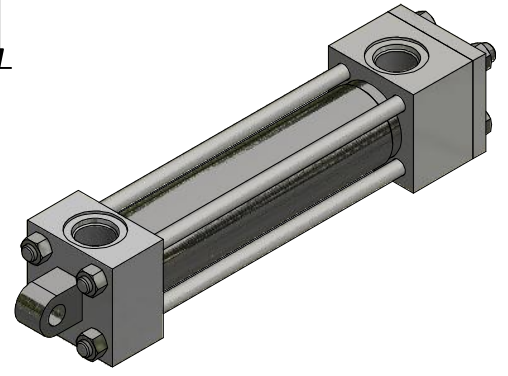
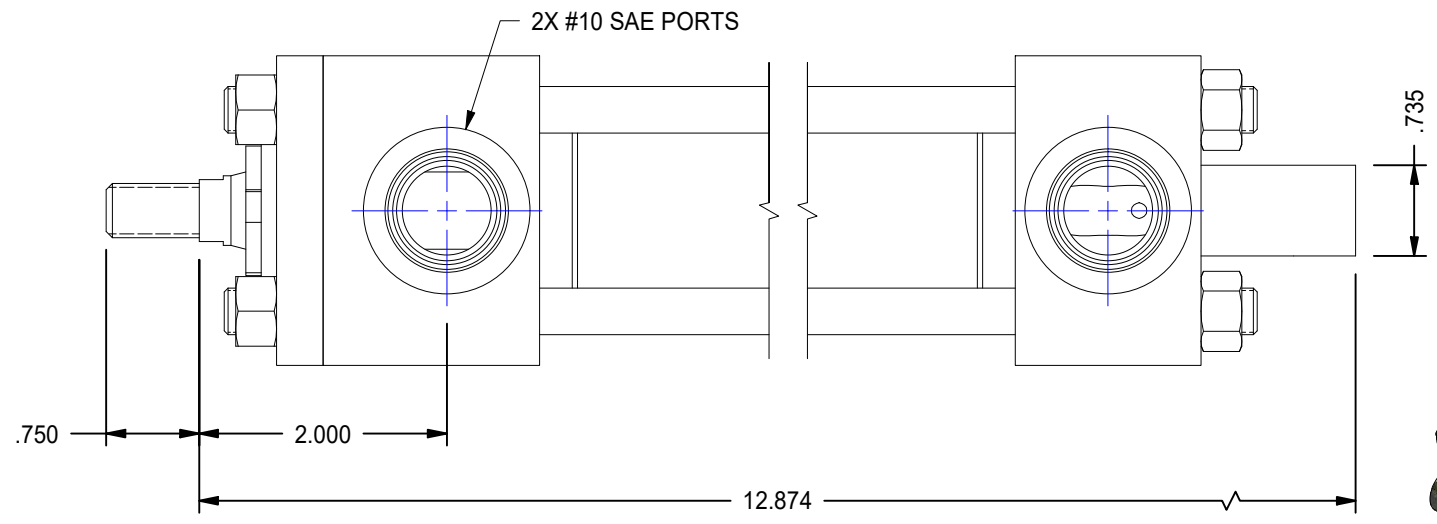


1

2

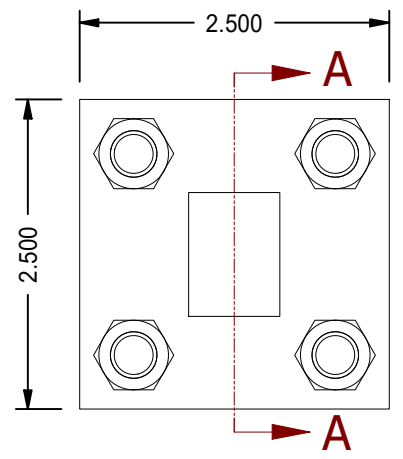
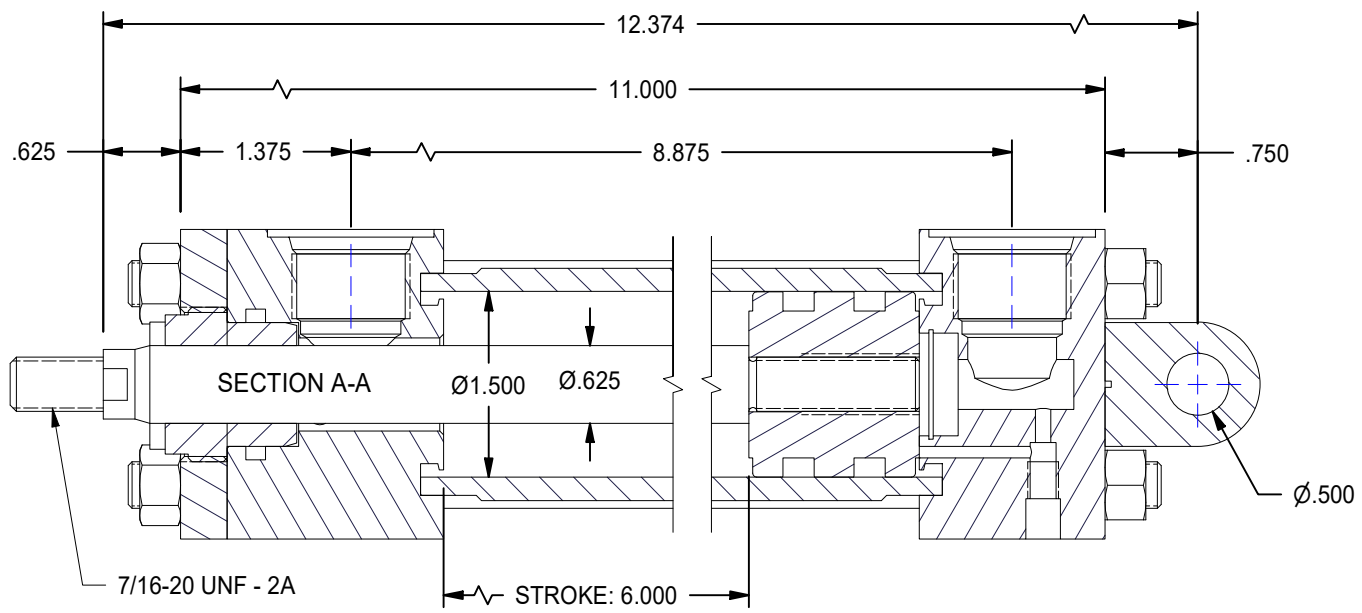
A

A



B


B



1

2

| DATE | INTL | DESCRIPTION | REV |
|------|------|-------------|-----|
|      |      |             |     |

|   |  |                                   |               |                            |                  |
|---|--|-----------------------------------|---------------|----------------------------|------------------|
| MODEL NUMBER:   |  | PROJECT/CUSTOMER INFO:            |               | DSGND:                     | DATE: 2013-03-07 |
|  <b>TITAN WORLDWIDE INC.</b><br><small>75 ton 5000 LBS.<br/>Clear Fall or Hydraulic in case of power. One that stands out for greatness of achievement!</small><br><small>PHONE: 807-474-5337 FAX: 807-623-5692 EMAIL: info@titanworldwide.com WEB: www.titanworldwide.com</small> |  | CAPACITY:                         | 3000 PSI      | SHEET SIZE: A              |                  |
|   |  | WEIGHT:                           | 10.168 lbmass | SHEET: 1 OF 1              |                  |
| 701 MONTREAL STREET<br>THUNDER BAY, ON<br>P7E 3P-2<br>CANADA<br>TEL: 807-474-5337<br>FAX: 807-623-5692<br>www.titanworldwide.com  |  | FILENAME: TRH1.50MP3LT14X6.00.idw |               | TITLE: TRH1.50MP3LT14X6.00 |                  |
| DRAWING No:   |  |                                   |               | REVISION:                  |                  |