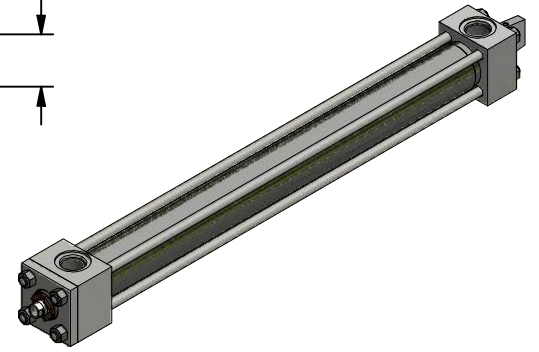
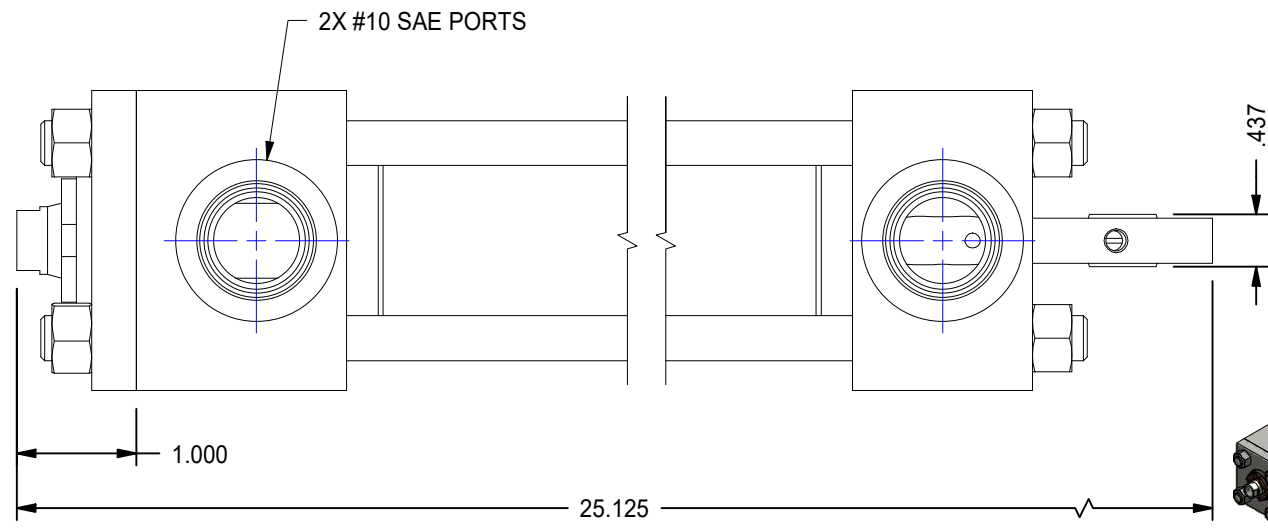


1

2

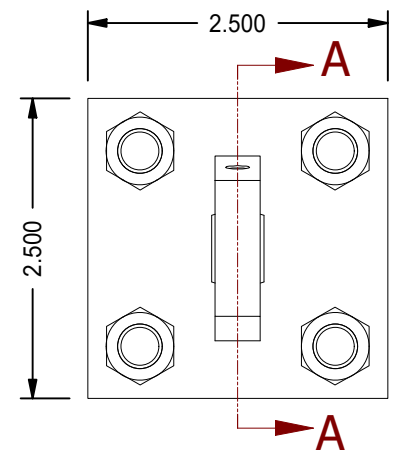
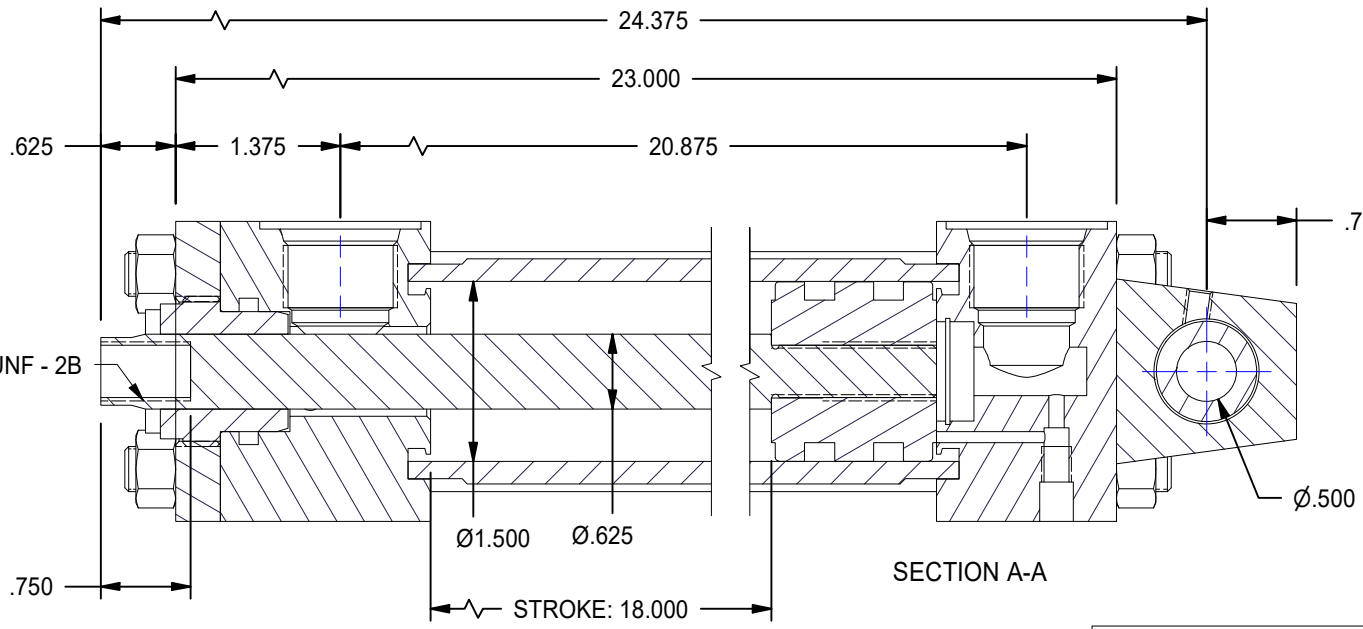
A


A



B

B



MODEL NUMBER:		PROJECT/CUSTOMER INFO:		DSGND:	DATE: 2013-03-07
 TITAN WORLDWIDE INC. <small>31 Year ISO 9001 Clear that all products are made in power. One that stands out for greatness of achievement!</small>		CAPACITY		3000 PSI	
		WEIGHT:		7.195 kg	
SHEET SIZE: A	SHEET: 1 OF 1	FILENAME:	TRH1.50MP5LT14X18.00.idw		
TITLE: TRH1.50MP5LT14X18.00					
DRAWING No:					REVISION:

1

2

DATE	INTL	DESCRIPTION	REV

1