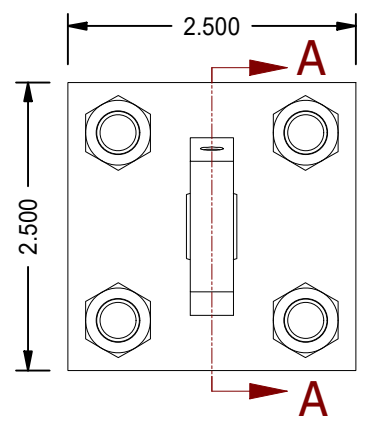
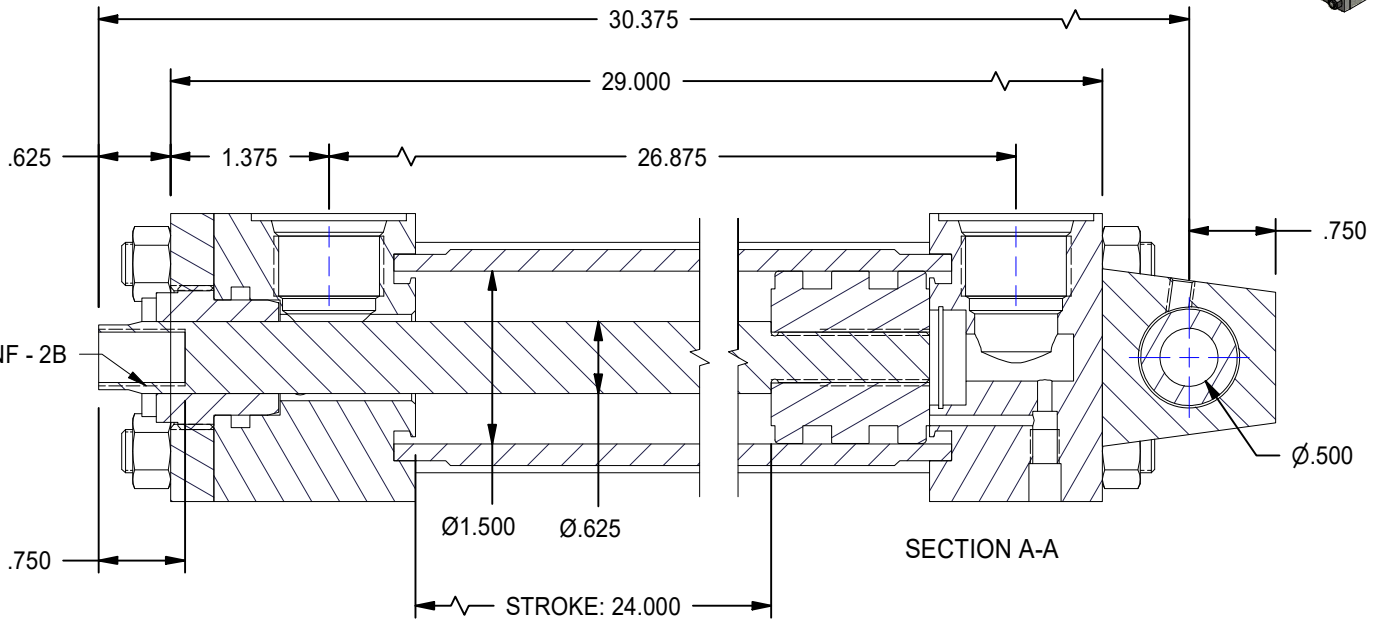
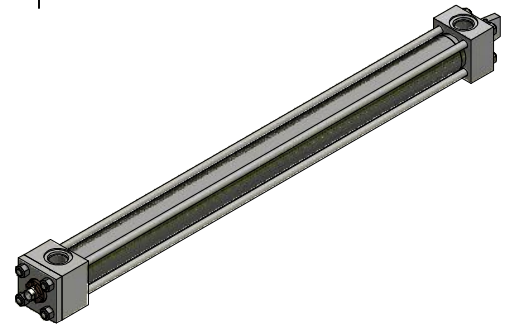
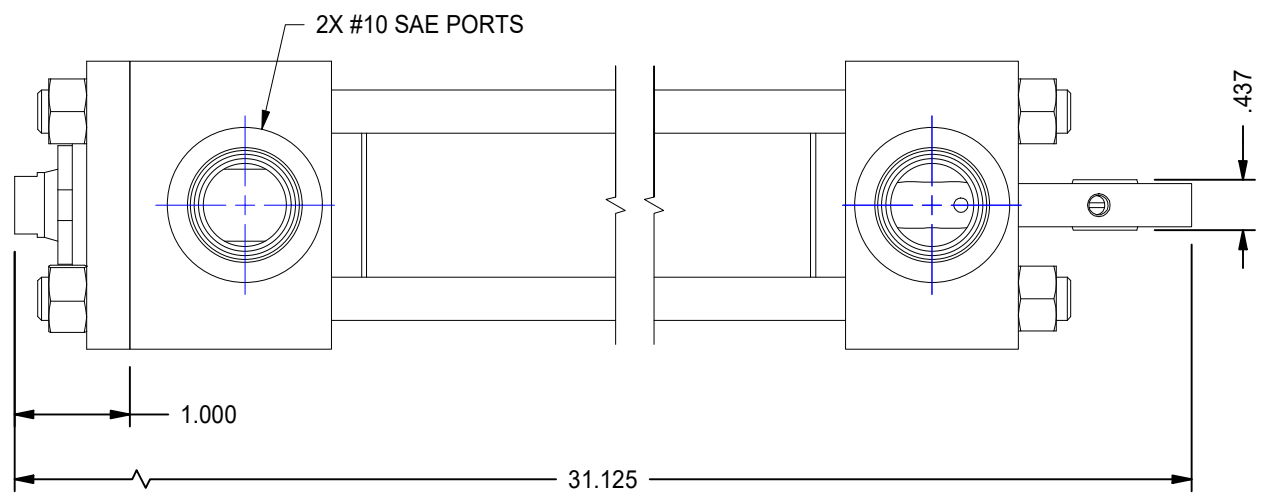



1

2



MODEL NUMBER:		PROJECT/CUSTOMER INFO:		DSGND:	DATE: 2013-03-07
 <b>TITAN WORLDWIDE INC.</b> <small>31 Year ISO 9001</small> <small>Clear that all products are made in Canada. One that stands out for greatness in performance!</small> <small>PHONE: 807-474-5337 FAX: 807-423-5692 EMAIL: info@titanworldwide.com WEB: www.titanworldwide.com</small>		CAPACITY: 3000 PSI		SHEET: A SHEET: 1 OF 1 FILENAME: TRH1.50MP5LT14X24.00.idw	
		WEIGHT: 18.828 lbmass		TITLE: TRH1.50MP5LT14X24.00	
701 MONTREAL STREET THUNDER BAY, ON P7E 3P2 CANADA TEL: 807-474-5337 FAX: 807-423-5692 www.titanworldwide.com				DRAWING No:	
				REVISION:	

DATE	INTL	DESCRIPTION	REV

1

2

A

A

B

B