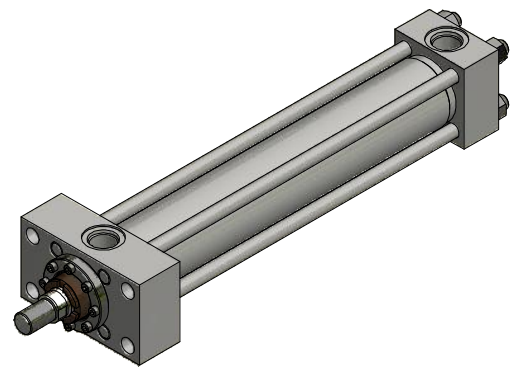
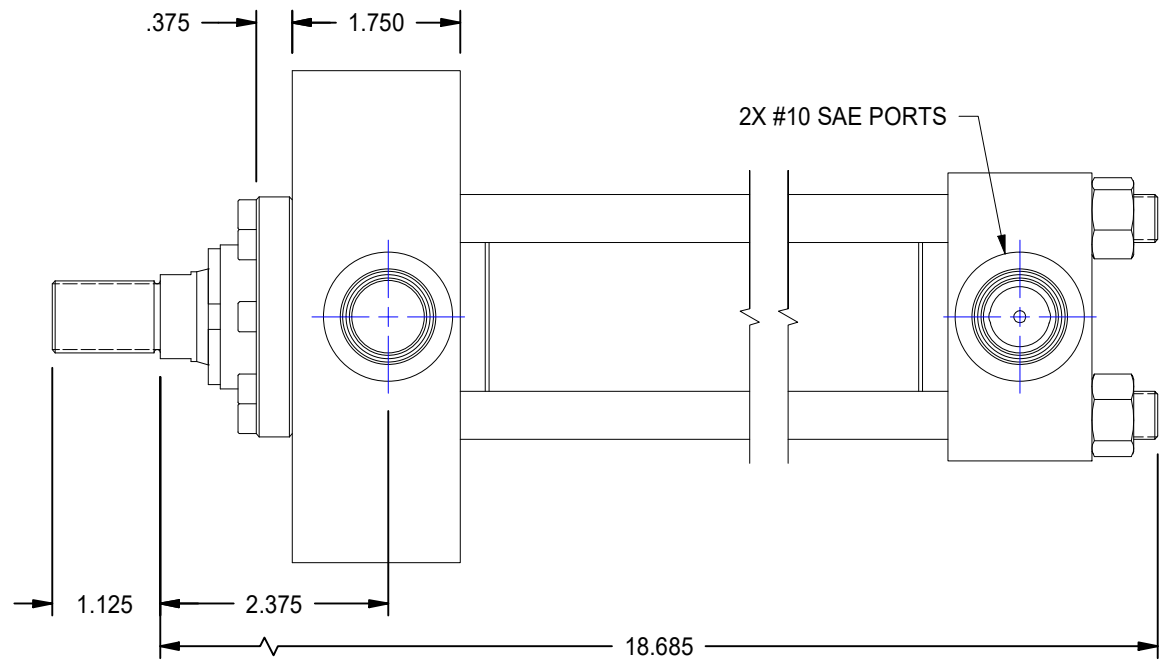


1

2

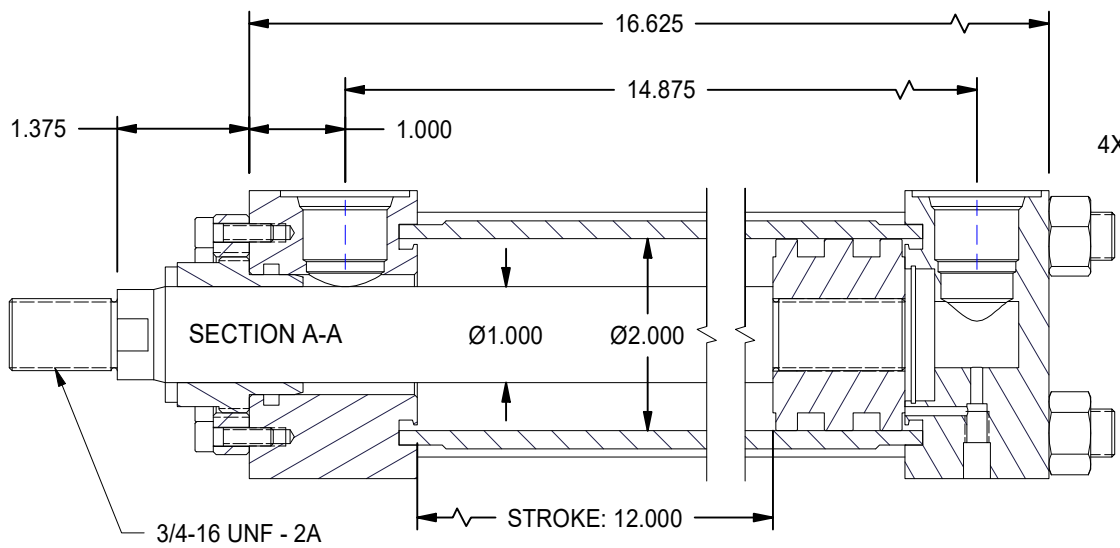
A

A

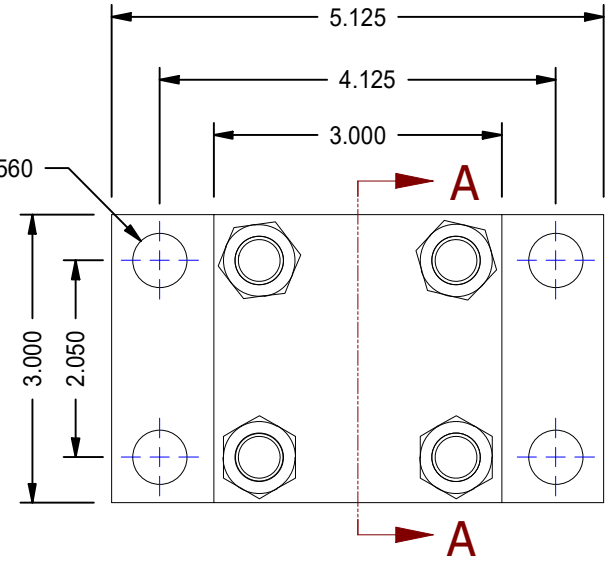


B

B




4X Ø.560



B

B

MODEL NUMBER:		PROJECT/CUSTOMER INFO:		DSGND:	DATE: 2017-09-08
 TITAN WORLDWIDE INC. <small>71 Sun Blvd. Clear Lake, CA 94631-1000 Clear Lake Air Station, in state of power. One that stands out for greatness of achievement!</small>		ENGINEER:	CAPACITY: 3000 PSI	WEIGHT:	22.600 lbmass
		FILENAME: TRH2.00ME5LT14X12.00.idw			
SHEET SIZE: A	SHEET: 1 OF 1	TITLE: TRH2.00ME5LT14X12.00			
DRAWING No:					REVISION:

1

2

DATE	INTL	DESCRIPTION	REV

1

2