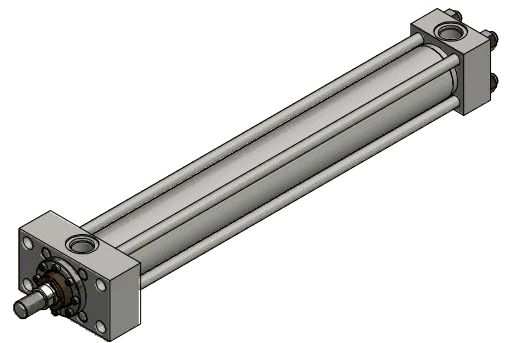
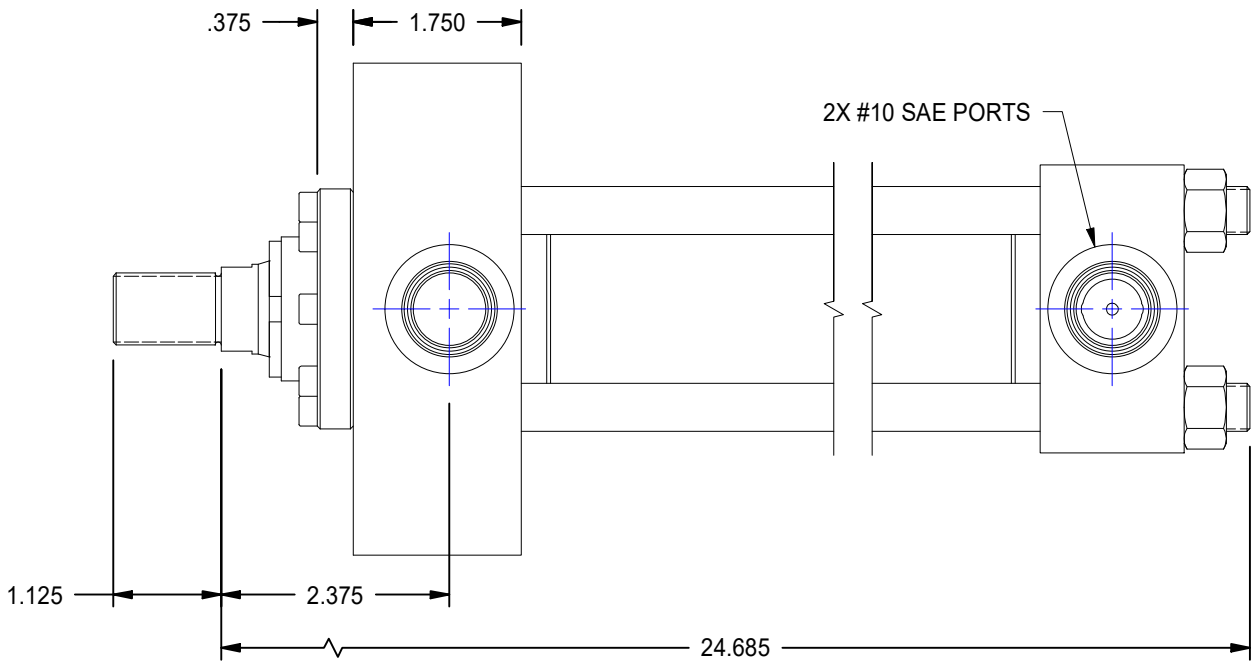


1

2

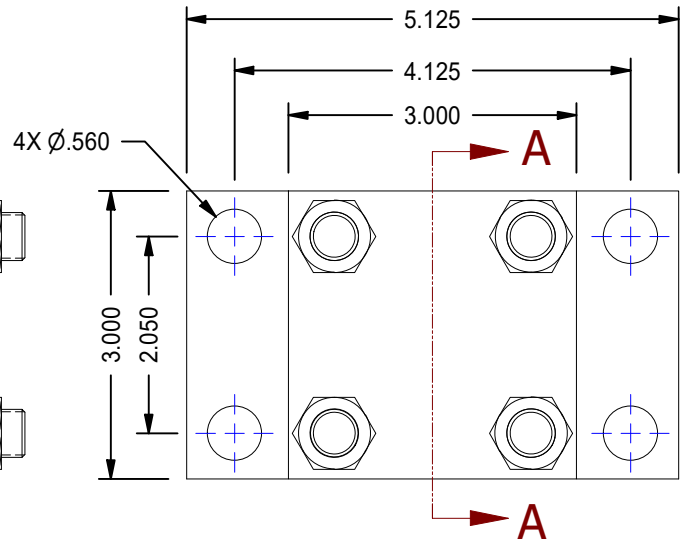
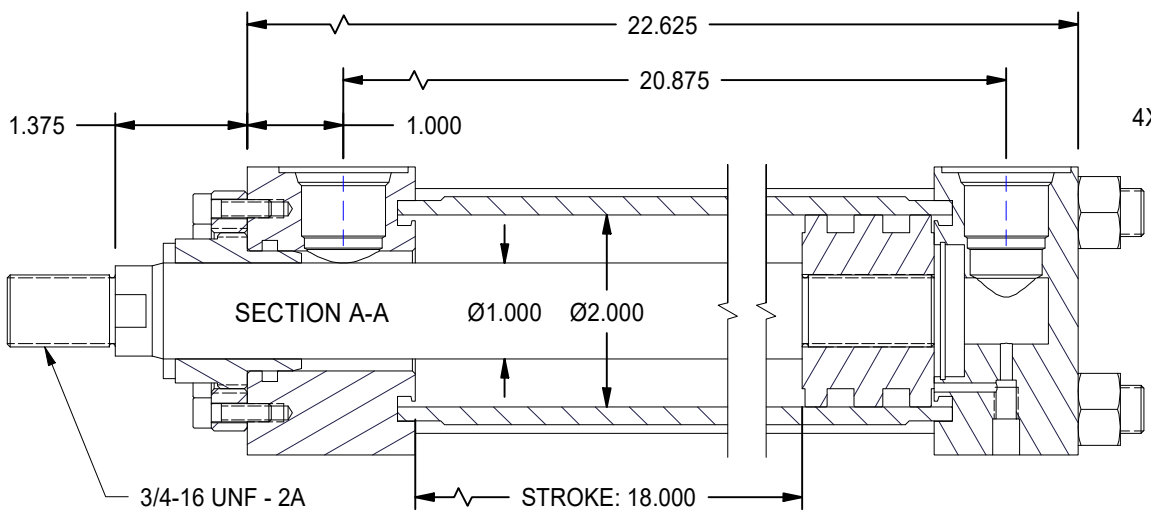
A


A



B

B



MODEL NUMBER:		PROJECT/CUSTOMER INFO:		DSGND:	DATE: 2017-09-08
 TITAN WORLDWIDE INC. <small>31 Van Stuyk Blvd. Clear Hill, Ontario, Canada 907-474-5337</small>		ENGINEER:		CAPACITY: 3000 PSI	
		WEIGHT:		27.400 lbmass	
SHEET SIZE: A	SHEET: 1 OF 1	FILENAME:	TRH2.00ME5LT14X18.00.idw		
TITLE:		TRH2.00ME5LT14X18.00			
DRAWING No:					REVISION:

1

2

DATE	INTL	DESCRIPTION	REV

1