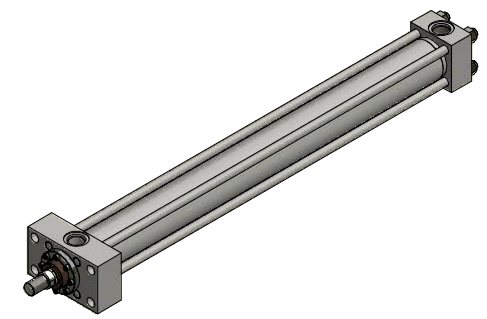
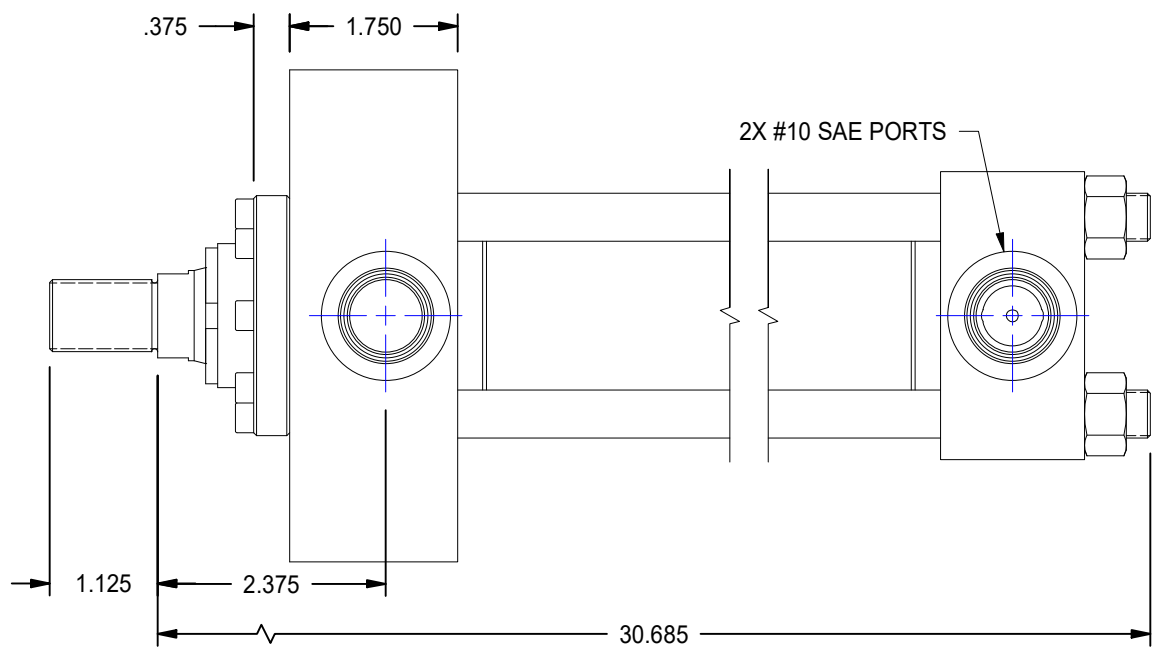


1

2

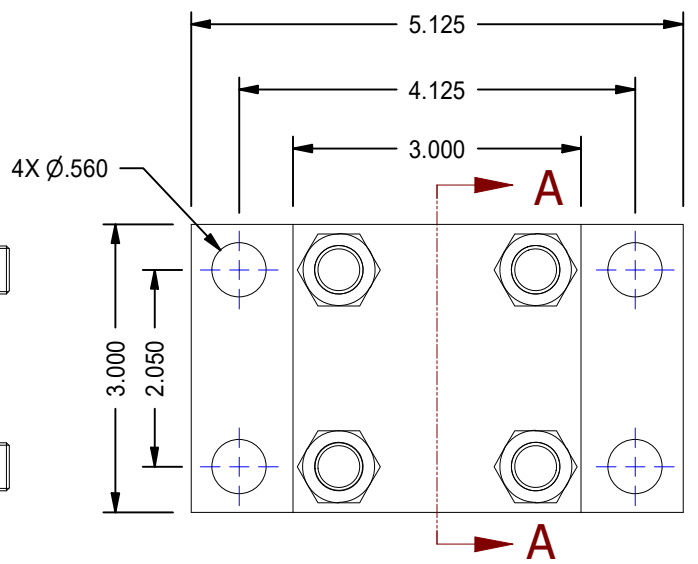
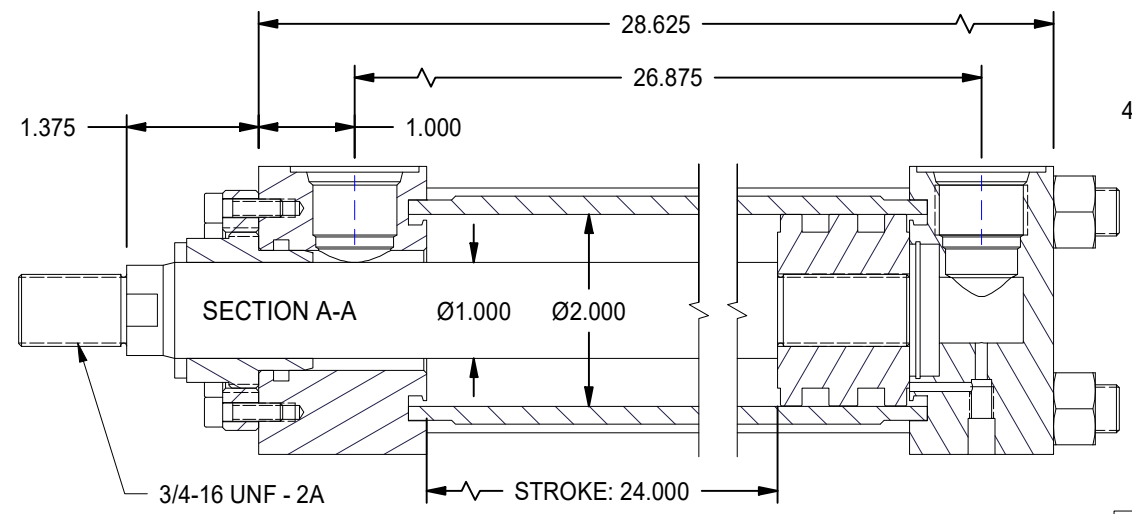
A


A



B

B



MODEL NUMBER:		PROJECT/CUSTOMER INFO:		DSGND:	DATE: 2017-09-08
 <b>TITAN WORLDWIDE INC.</b> <small>31 Year ISO 9001</small> <small>Clear title or graphic in case of power. One that stands out for greatest of effectiveness</small> <small>PHONE: 807-474-5337 FAX: 807-623-5692 EMAIL: info@titanworldwide.com WEB: www.titanworldwide.com</small>		ENGINEER:	CAPACITY: 3000 PSI	WEIGHT: 32.270 lbmass	
		SHEET SIZE: A SHEET: 1 OF 1 FILENAME: TRH2.00ME5LT14X24.00.idw		TITLE: TRH2.00ME5LT14X24.00	
DRAWING No:					REVISION:

1

2

DATE	INTL	DESCRIPTION	REV

1

2