

1

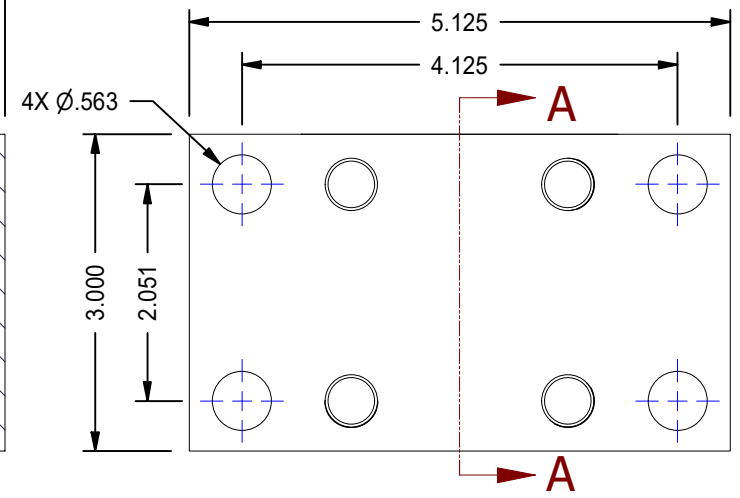
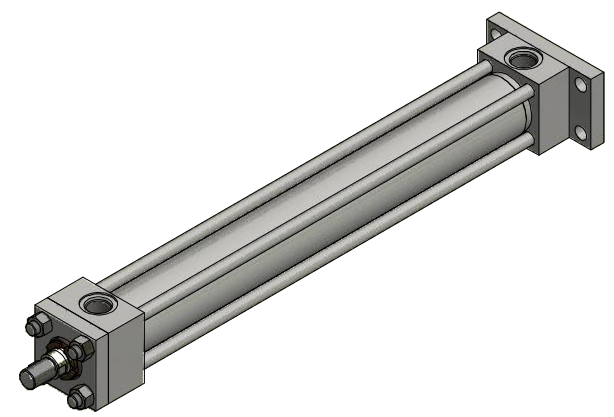
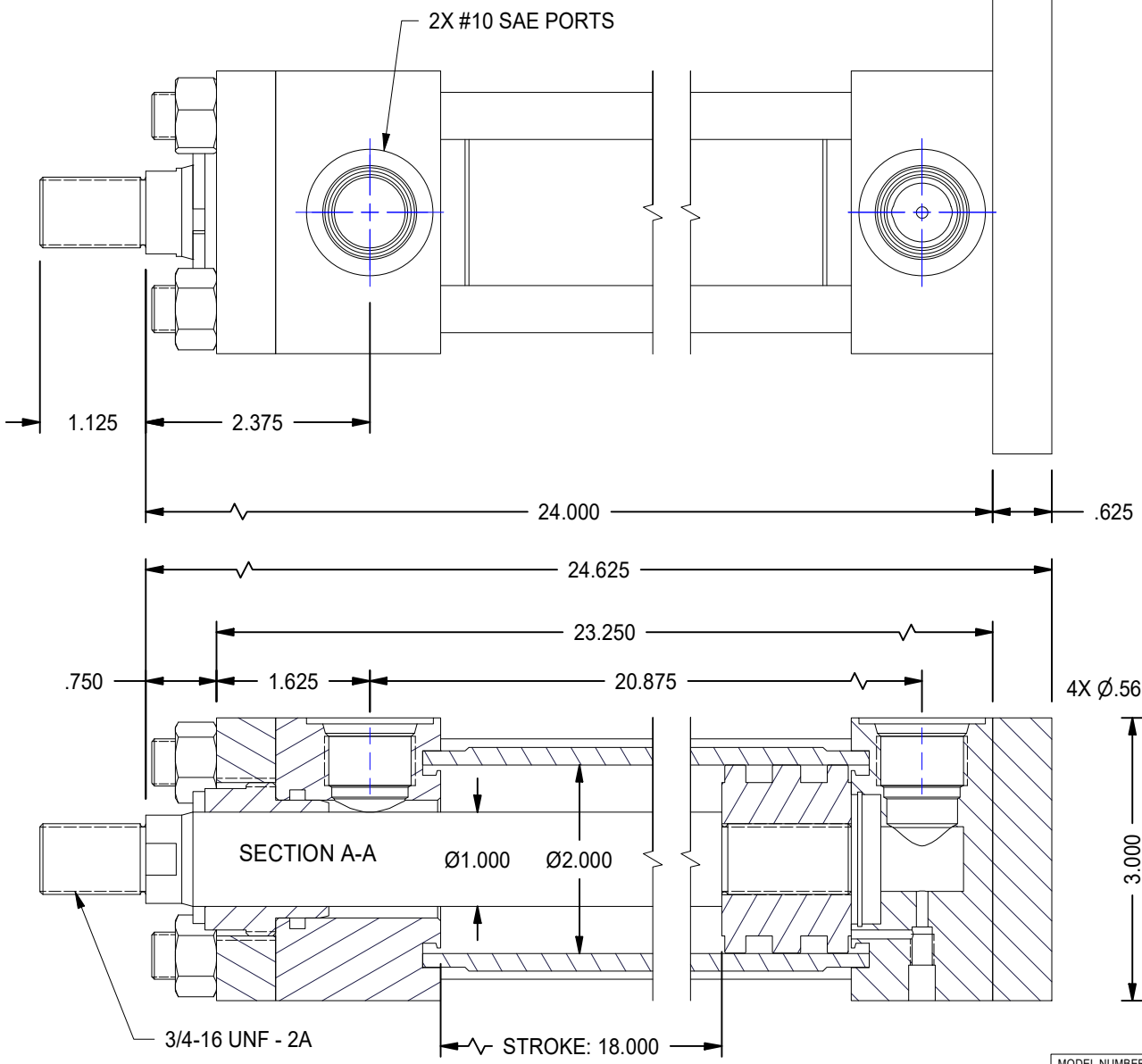
2

A

A

B

B




1

2



DATE	INTL	DESCRIPTION	REV

MODEL NUMBER:		PROJECT/CUSTOMER INFO:		DSGND:	DATE: 2013-03-07
 <b>TITAN WORLDWIDE INC.</b> <small>75 ton 2000 PSI Clear fluid or glycol, in case of power. One that stands out for greatness of achievement!</small> PHONE: 807-474-5337 FAX: 807-623-5692 EMAIL: info@stanworldwide.com WEB: www.stanworldwide.com		CAPACITY:	3000 PSI	FILENAME: TRH2.00MF2LT14X18.00.idw	
		WEIGHT:	28.274 lbmass	SHEET: A SHEET: 1 OF 1 TITLE: TRH2.00MF2LT14X18.00	
701 MONTREAL STREET THUNDER BAY, ON P7E 3P-2 CANADA TEL: 807-474-5337 FAX: 807-623-5692 www.stanworldwide.com				DRAWING No:	
				REVISION:	