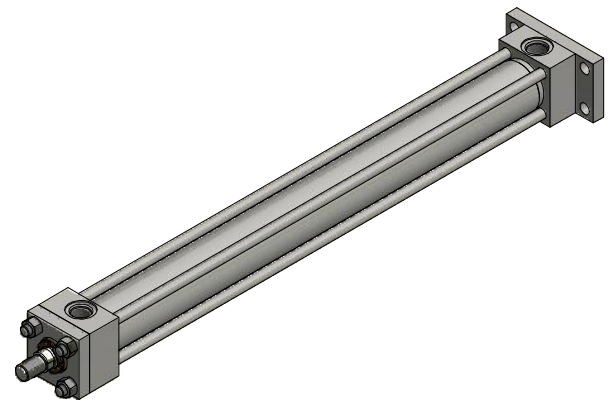
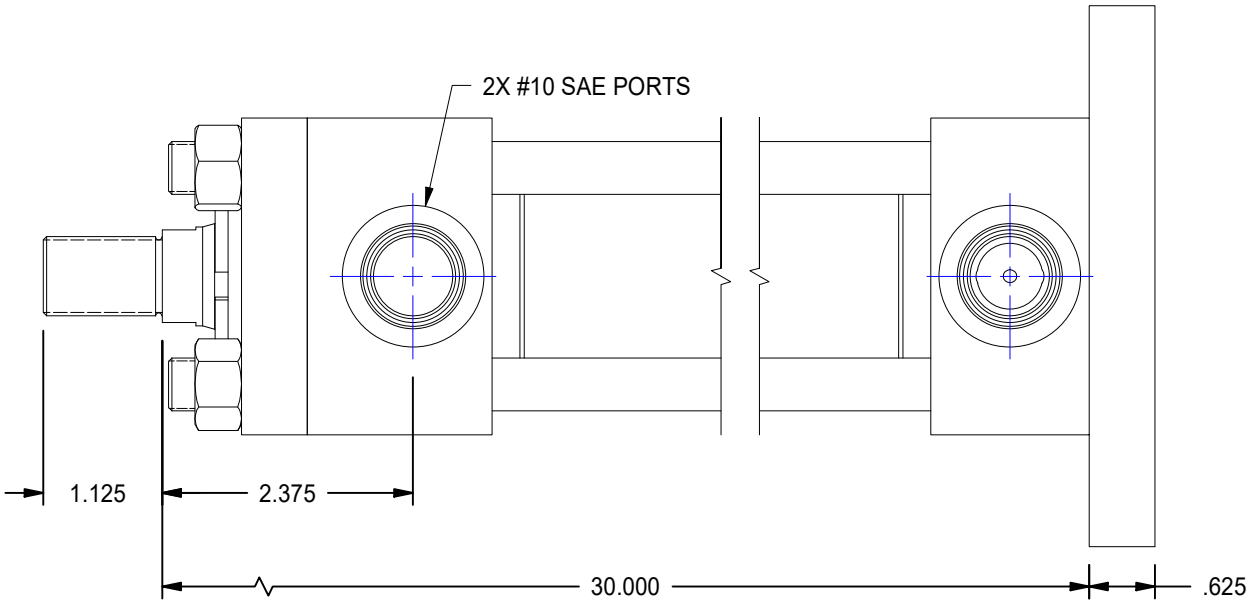


1

2

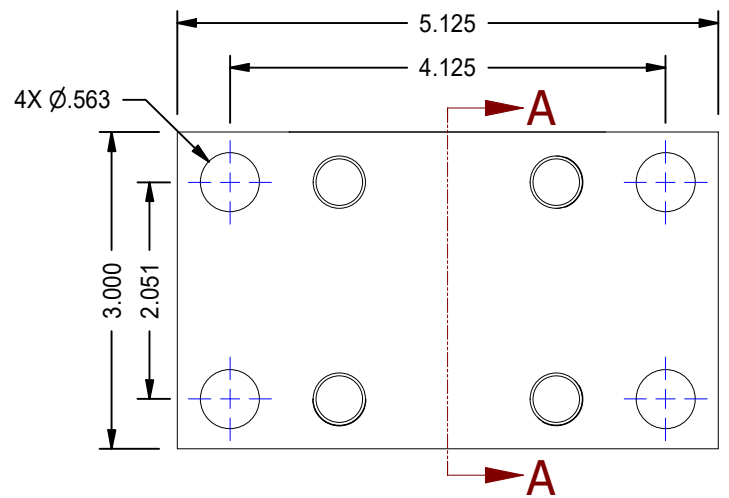
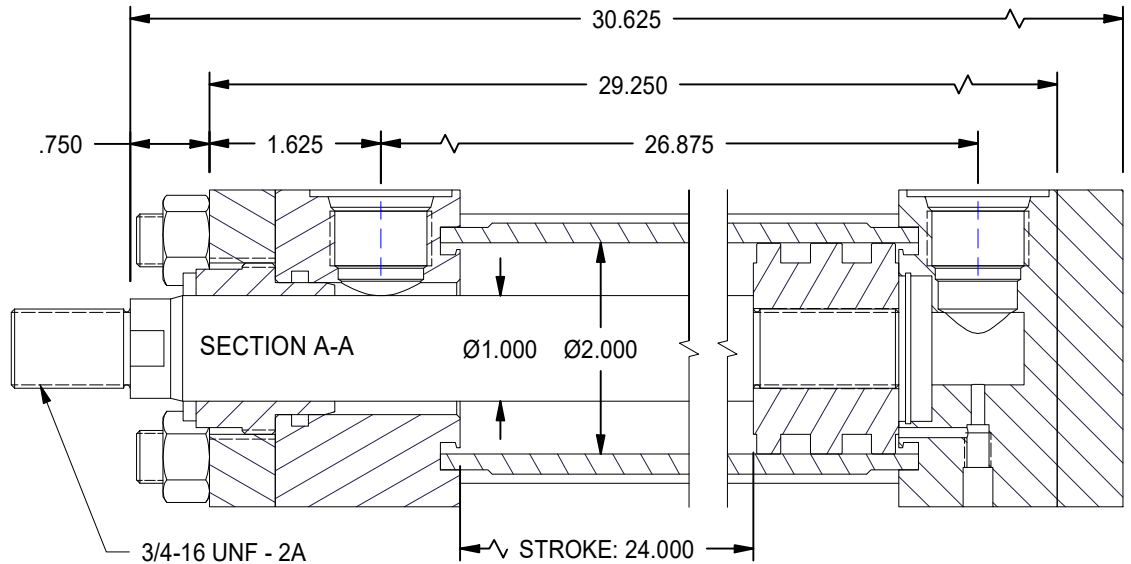
A

A



B


B



1

2

DATE	INTL	DESCRIPTION	REV

MODEL NUMBER:		PROJECT/CUSTOMER INFO:		DSGND:	DATE: 2013-03-07
 <b>TITAN WORLDWIDE INC.</b> <small>31 Van Stuyk          Clear Fall or please, in case of power. One that stands out for          greatness of achievement</small>		CAPACITY: 3000 PSI		WEIGHT: 33.170 lbmass	
		SHEET: A SHEET: 1 OF 1 FILENAME: TRH2.00MF2LT14X24.00.idw		TITLE: TRH2.00MF2LT14X24.00	
701 MONTREAL STREET THUNDER BAY, ON P7E 3P-2 CANADA TEL: 807-474-5337 FAX: 807-623-5692 www.titanworldwide.com				DRAWING No:	
				REVISION:	