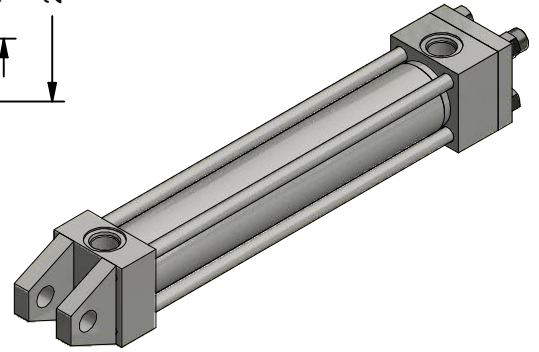
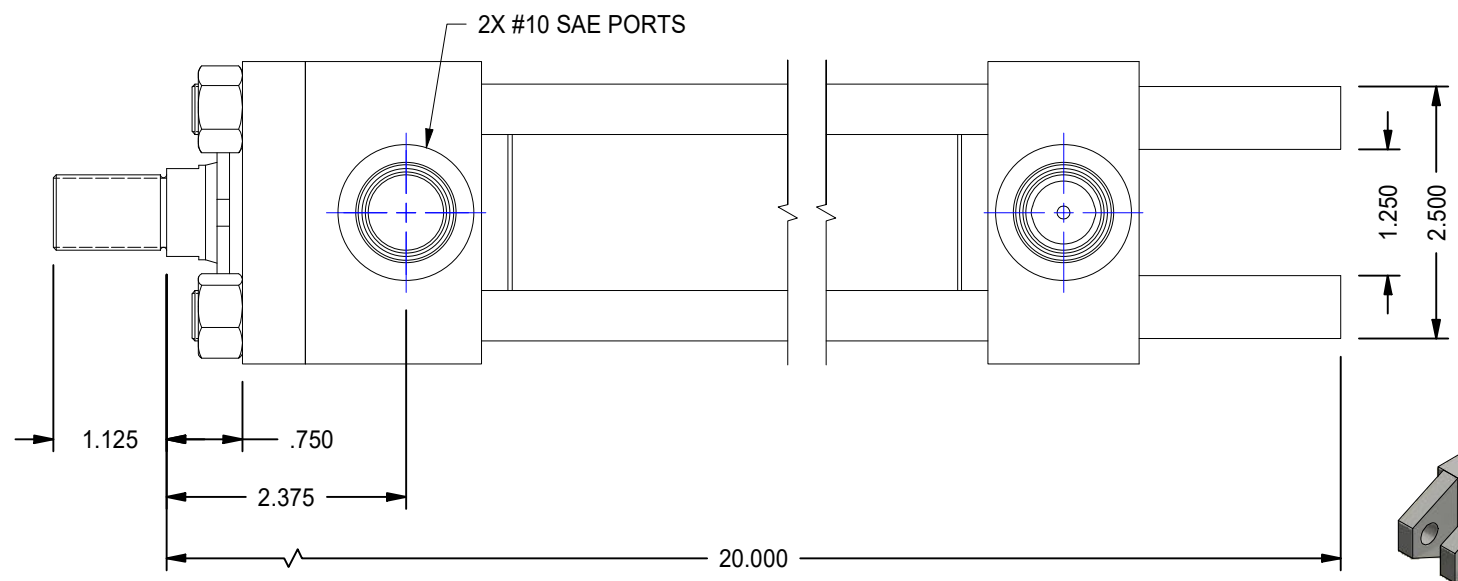


1

2

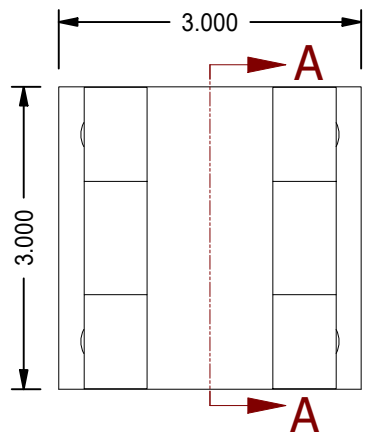
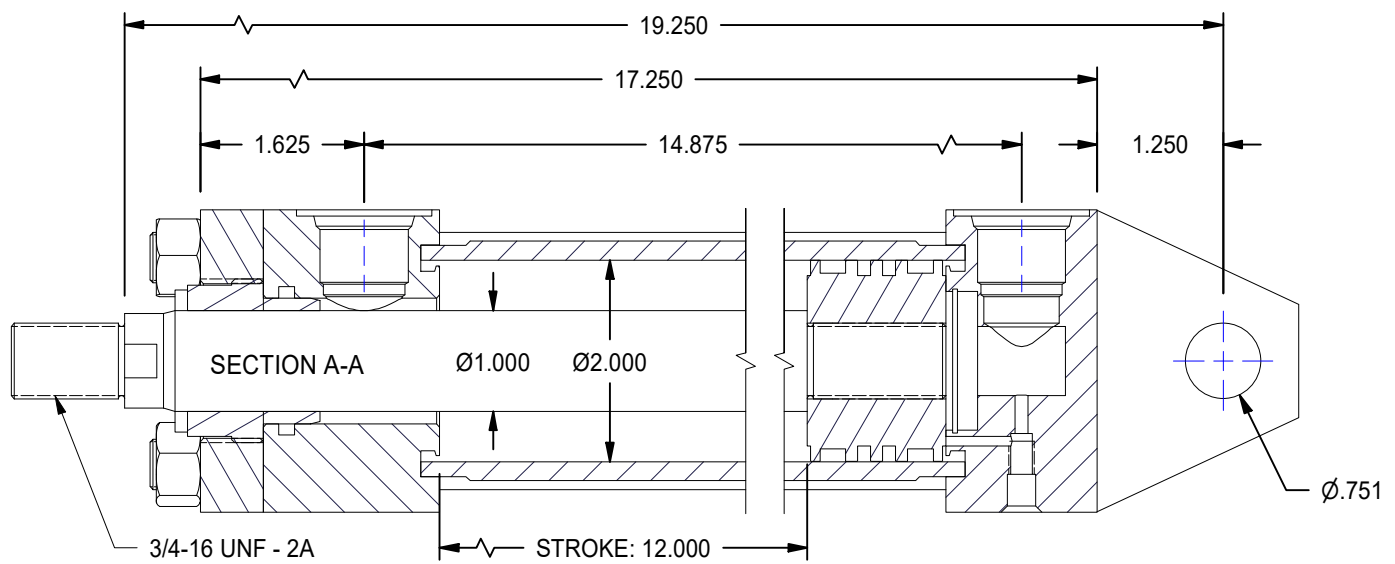
A


A



B

B



MODEL NUMBER:		PROJECT/CUSTOMER INFO:		DSGND:	DATE: 2011-12-05	
 TITAN WORLDWIDE INC. <small>31 Year ISO 9001 Clear Fall or liquid in case of power. One that stands out for greatness of achievement!</small> PHONE: 807-474-5337 FAX: 807-623-5692 EMAIL: info@stanworldwide.com WEB: www.stanworldwide.com 701 MONTREAL STREET THUNDER BAY, ON P7E 3P-2 CANADA TEL: 807-474-5337 FAX: 807-623-5692 www.stanworldwide.com		CAPACITY:	3000 PSI	SHEET SIZE:	A	
		WEIGHT:	22.097 lbmass	SHEET:	1 OF 1	
		FILENAME:		TRH2.00MP1LT14X12.00.idw		
		TITLE:				TRH2.00MP1LT14X12.00
		DRAWING No:			REVISION:	

1

2

DATE	INTL	DESCRIPTION	REV

1