

1

2

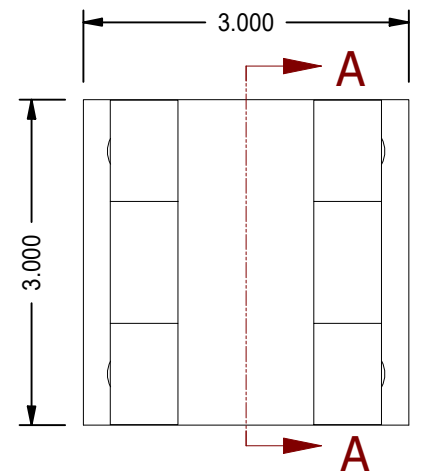
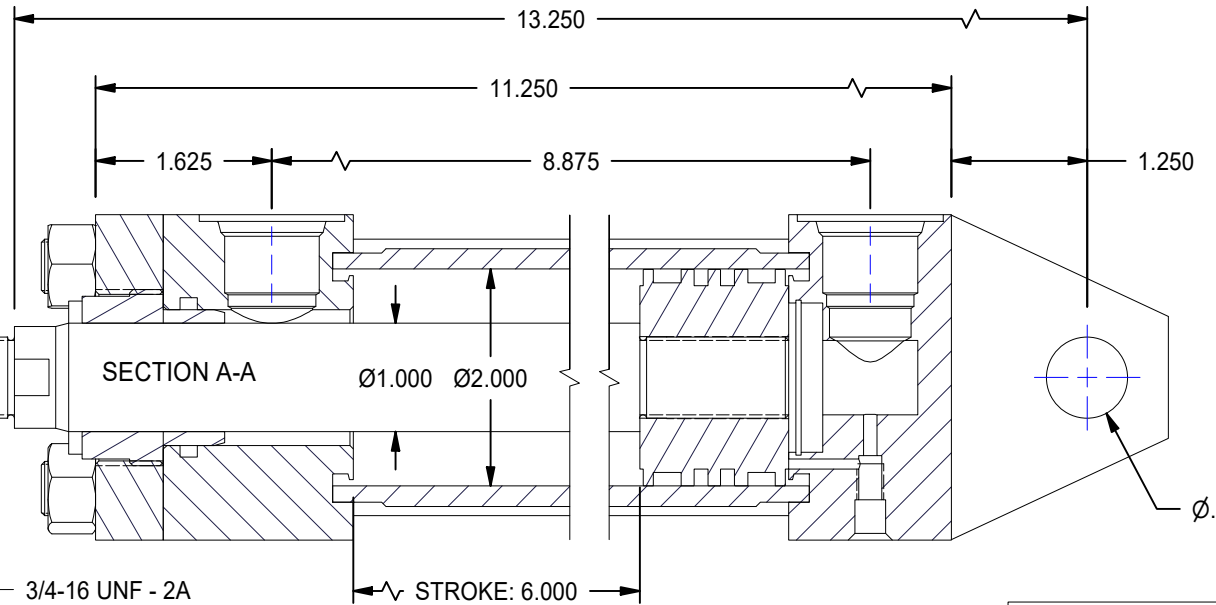
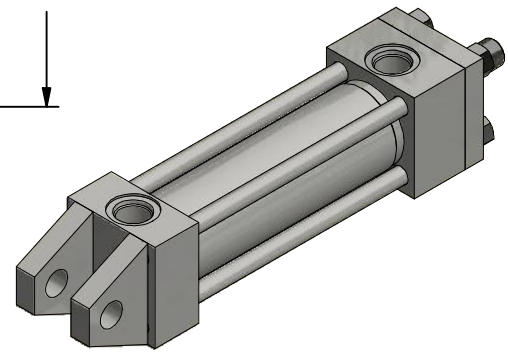
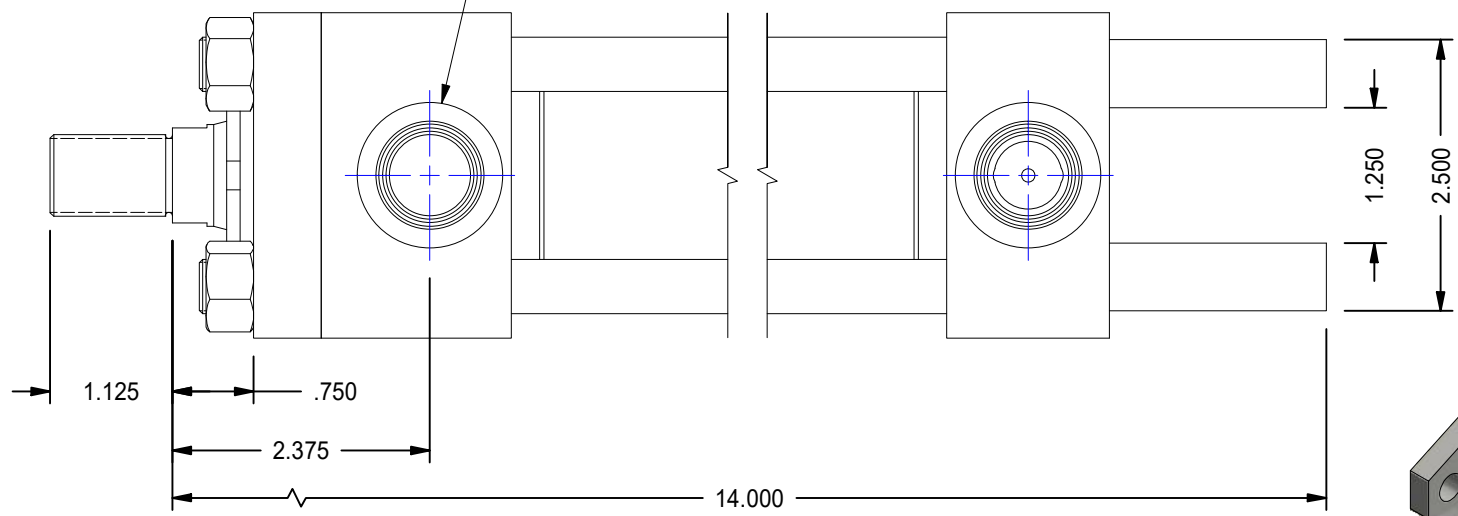
A


A

B

B

2X #10 SAE PORTS



MODEL NUMBER:		PROJECT/CUSTOMER INFO:		DSGND:	DATE: 2011-12-05
 TITAN WORLDWIDE INC. <small>31 ton 6000 LBS. Clear Fall or Impact is not a power. One that stands out for greatness of achievement!</small> PHONE: 807-474-5337 FAX: 807-623-5692 EMAIL: info@titanworldwide.com WEB: www.titanworldwide.com 701 MONTREAL STREET THUNDER BAY, ON P7E 3P-2 CANADA TEL: 807-474-5337 FAX: 807-623-5692 www.titanworldwide.com		CAPACITY:	3000 PSI	SHEET: A SHEET: 1 OF 1 FILENAME: TRH2.00MP1LT14X6.00.idw	
		WEIGHT:	17.232 lbmass	TITLE: TRH2.00MP1LT14X6.00	
DRAWING No:				REVISION:	

DATE	INTL	DESCRIPTION	REV

1

2

