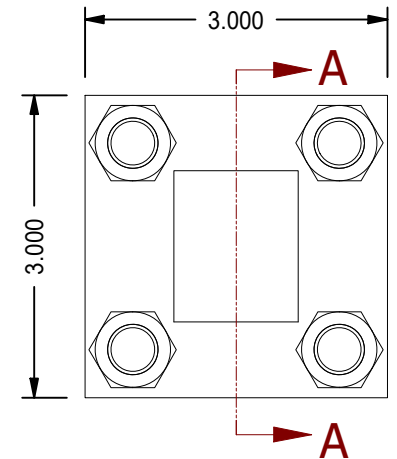
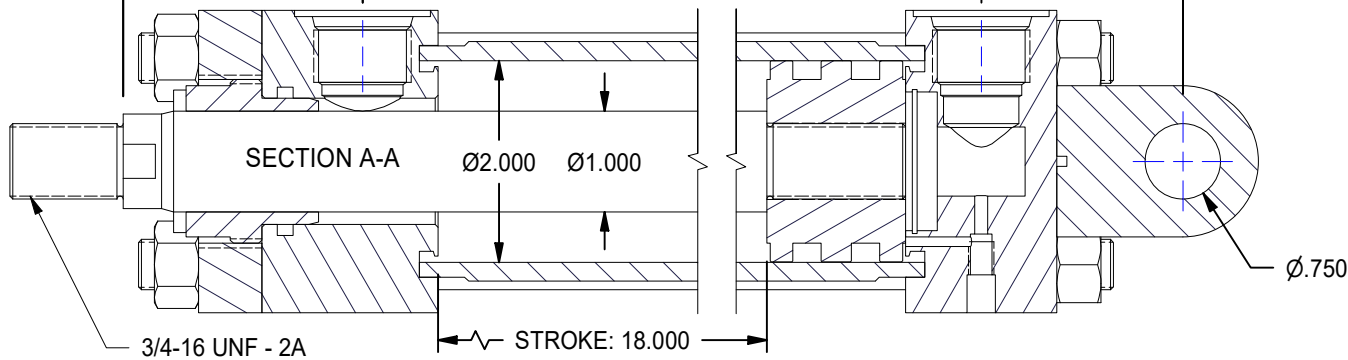
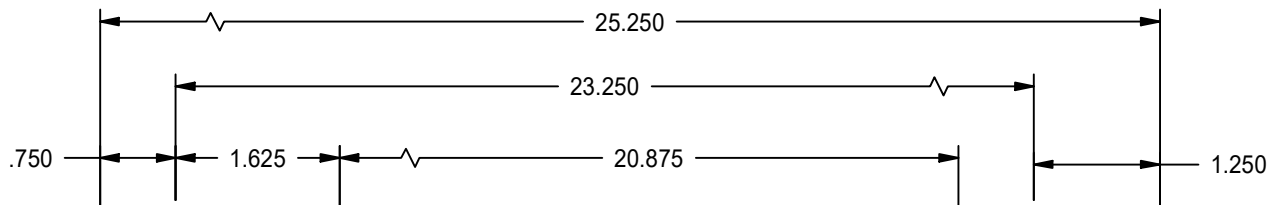
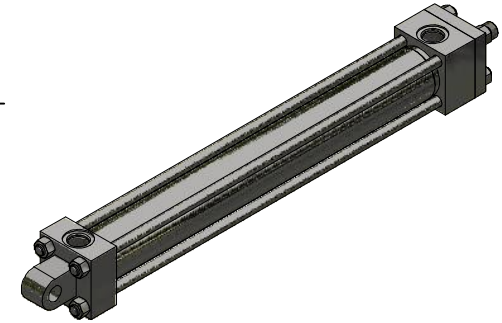
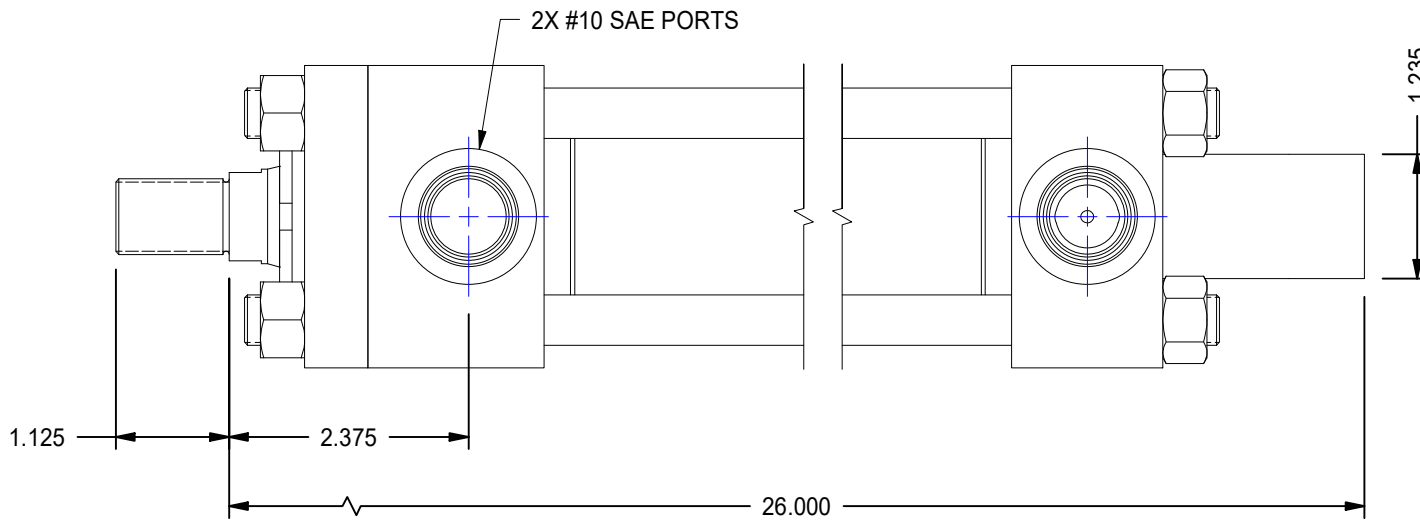


1

2


A

A



B

B

MODEL NUMBER:		PROJECT/CUSTOMER INFO:		DSGND:	DATE: 2013-03-07
 <b>TITAN WORLDWIDE INC.</b> <small>31 rue 5555,          Clear Lake, CA 94565, USA          Clear Lake is located in state of power. One that stands out for          greatness of achievement!</small>		CAPACITY: 3000 PSI		WEIGHT: 26.718 lbmass	
		SHEET: A SHEET: 1 OF 1 FILENAME: TRH2.00MP3LT14X18.00.idw		TITLE: TRH2.00MP3LT14X18.00	
701 MONTREAL STREET THUNDER BAY, ON P7E 3P-2 CANADA TEL: 807-474-5337 FAX: 807-423-5692 www.titanworldwide.com		DRAWING No:		REVISION:	

1

2

DATE	INTL	DESCRIPTION	REV

1