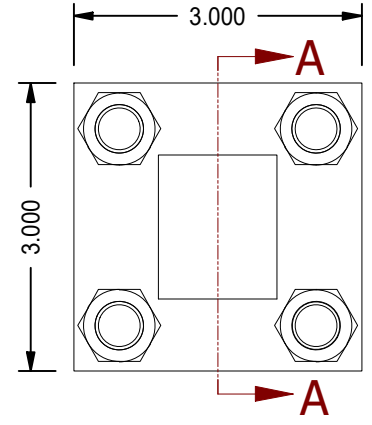
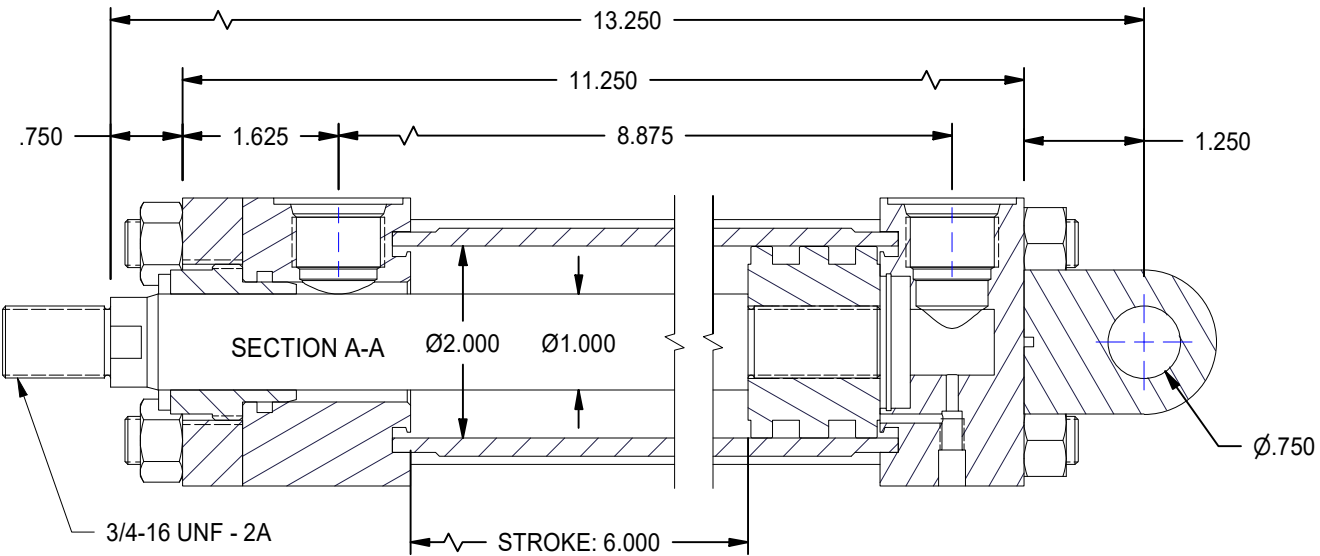
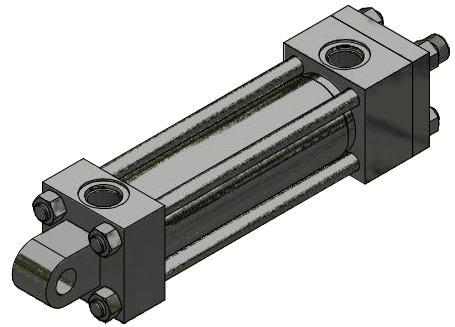
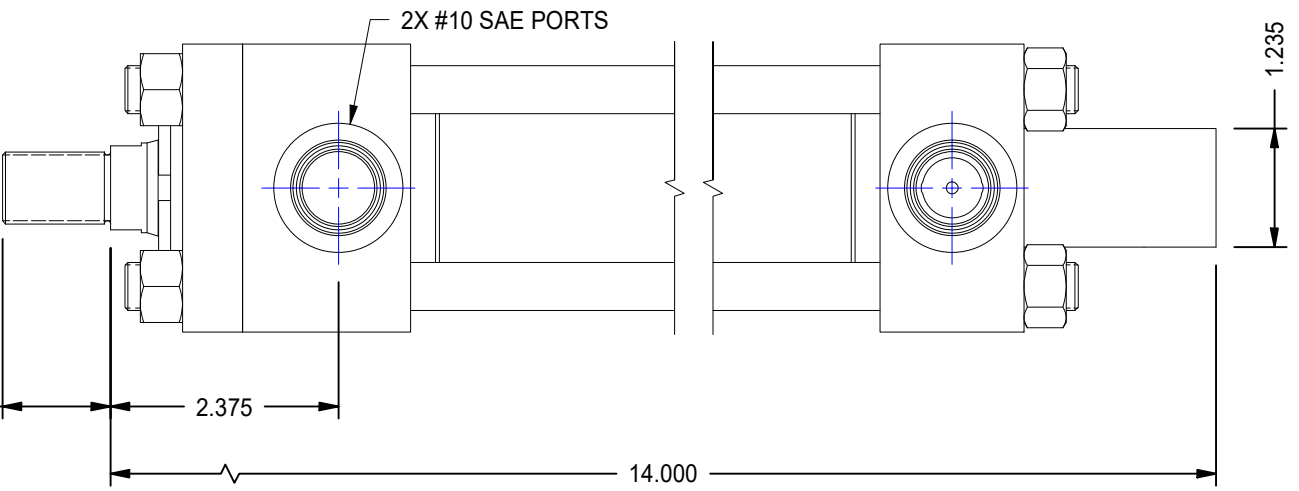


1

2



A

A


B

B

1

2

DATE	INTL	DESCRIPTION	REV

<b>MODEL NUMBER:</b>  <b>TITAN WORLDWIDE INC.</b> <small>31 Sun Blvd.        Clear Lake, CA 94505, U.S.A.        Clear Lake is located in state of power. One that stands out for        greatness of achievement!</small>		<b>PROJECT/CUSTOMER INFO:</b> DSGND:      DATE: 2013-03-07 CAPACITY:    3000 PSI WEIGHT:      16.978 lbmass	
SHEET SIZE: A TITLE: TRH2.00MP3LT14X6.00	SHEET: 1 OF 1 FILENAME: TRH2.00MP3LT14X6.00.idw	DRAWING No:      REVISION:	
701 MONTREAL STREET THUNDER BAY, ON P7E 3P-2 CANADA TEL: 807-474-5337 FAX: 807-623-5692 www.titanworldwide.com			