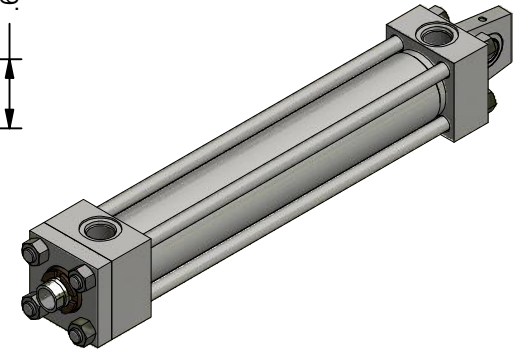
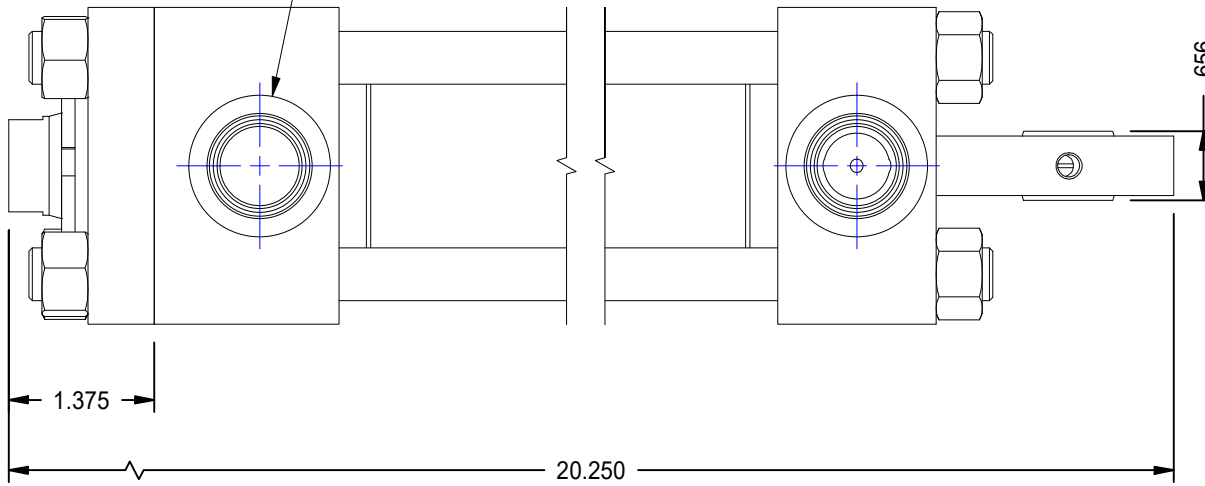


1

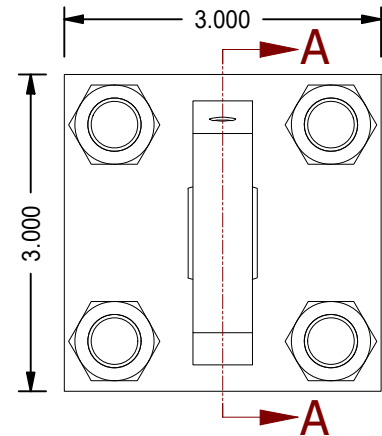
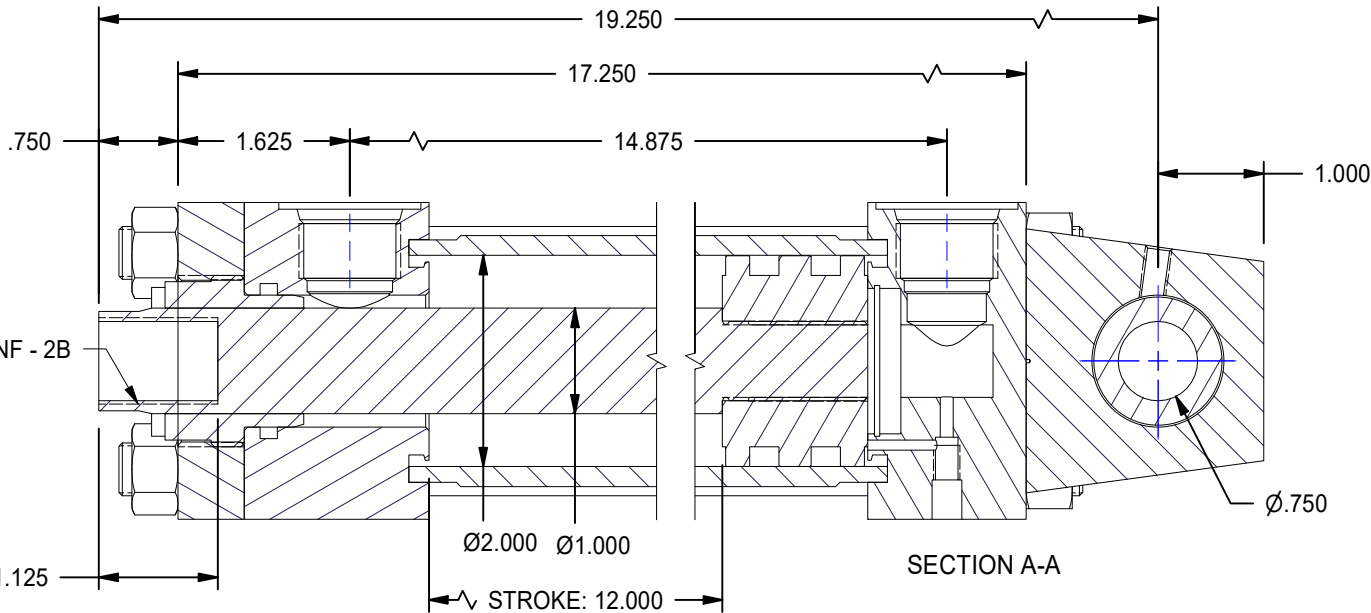
2

2X #10 SAE PORTS



A

A




3/4-16 UNF - 2B

SECTION A-A

STROKE: 12.000

B

B

MODEL NUMBER:		PROJECT/CUSTOMER INFO:		DSGND:	DATE: 2011-01-21
 TITAN WORLDWIDE INC. <small>31 Year ISO 9001 Clear Fall or liquid in case of power. One that stands out for greatness of achievement!</small> PHONE: 807-474-5337 FAX: 807-623-5692 EMAIL: info@titanworldwide.com WEB: www.titanworldwide.com		CAPACITY: 3000 psi		WEIGHT: 21.438 lbmass	
		SHEET: A SHEET: 1 OF 1 FILENAME: TRH2.00MP5LT14X12.00.idw		TITLE: TRH2.00MP5LT14X12.00	
DRAWING No:				REVISION:	

1

2

DATE	INTL	DESCRIPTION	REV

1