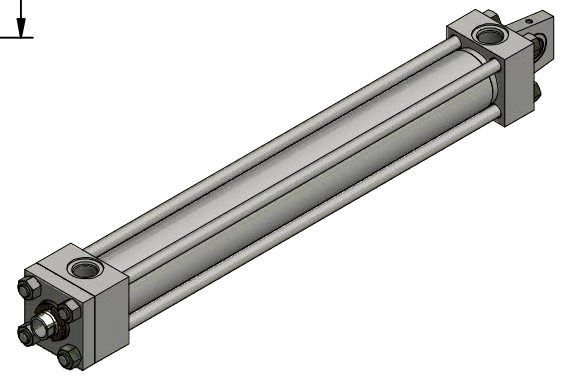
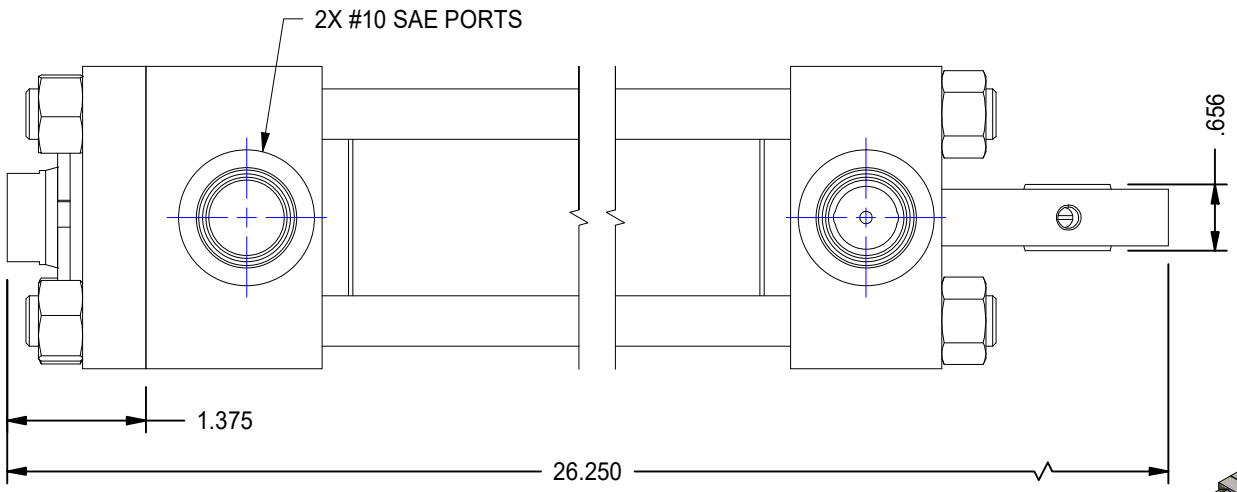


1

2

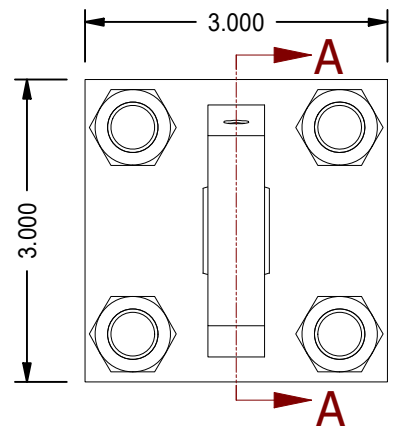
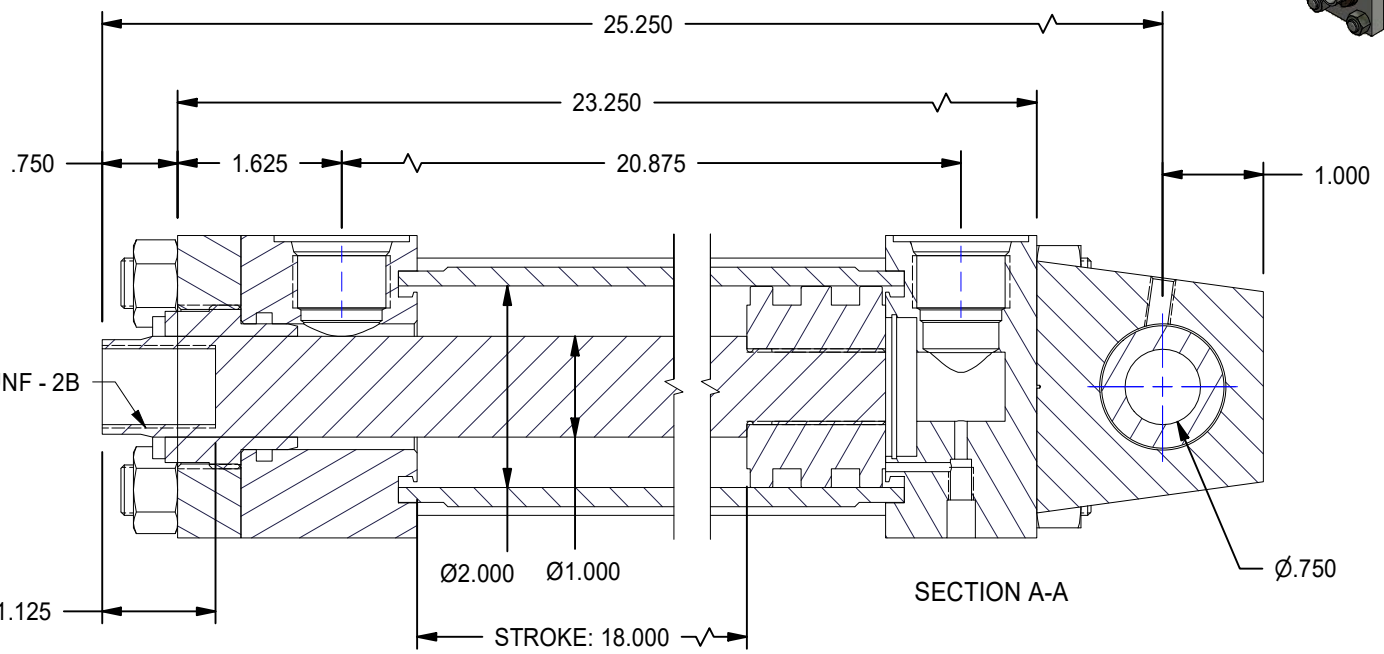
A


A



B

B



MODEL NUMBER:		PROJECT/CUSTOMER INFO:		DSGND:	DATE: 2011-01-21
 TITAN WORLDWIDE INC. <small>31 Year Old</small> <small>Clear Fall or liquid in case of power. One that stands out for greatness of achievement!</small>		CAPACITY: 3000 psi		WEIGHT: 26.333 lbmass	
		SHEET: A SHEET: 1 OF 1 FILENAME: TRH2.00MP5LT14X18.00.idw		TITLE: TRH2.00MP5LT14X18.00	
701 MONTREAL STREET THUNDER BAY, ON P7E 3P-2 CANADA TEL: 807-474-5337 FAX: 807-423-5692 www.titanworldwide.com		DRAWING No:		REVISION:	

1

2

DATE	INTL	DESCRIPTION	REV

1