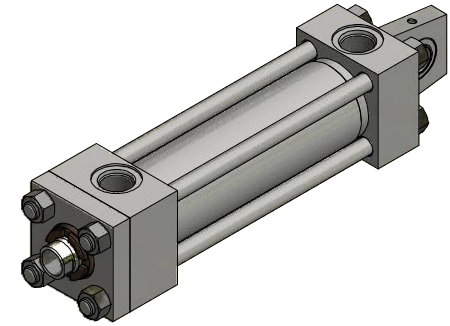
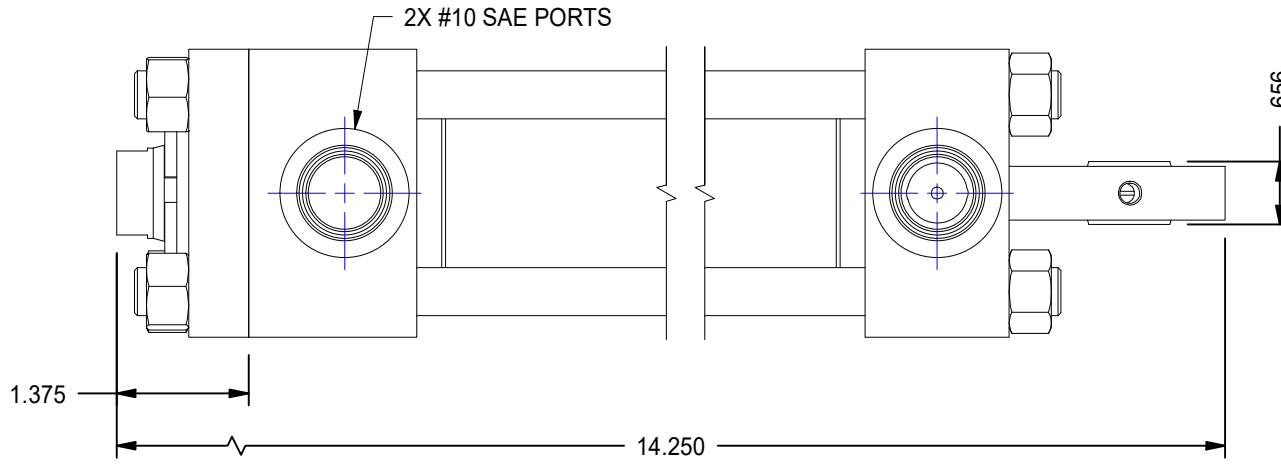


1

2

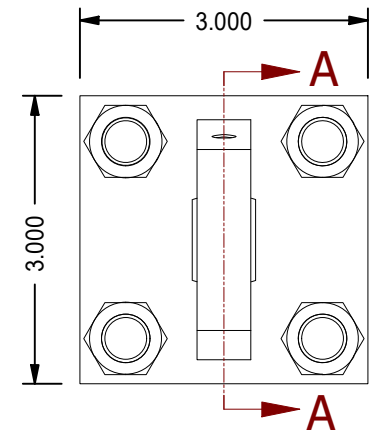
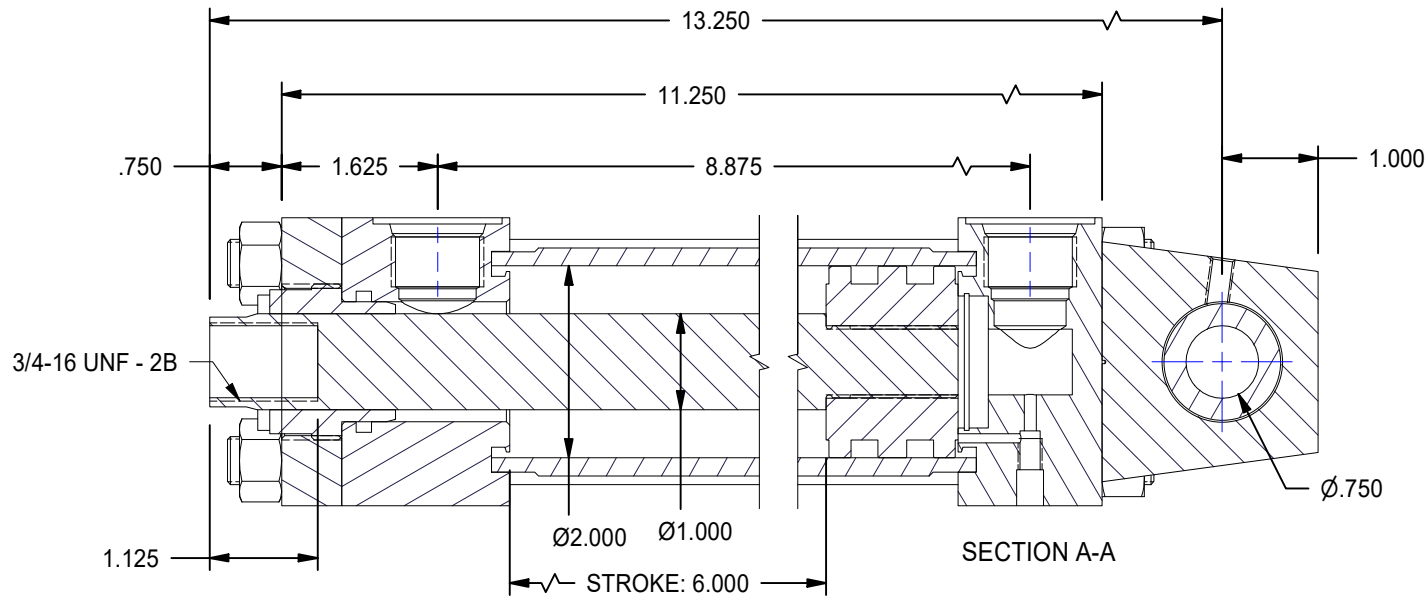
A

A



B

B




B

B

1

2

DATE	INTL	DESCRIPTION	REV

MODEL NUMBER:		PROJECT/CUSTOMER INFO:		DSGND:	DATE: 2011-01-21
 TITAN WORLDWIDE INC. <small>31 rue 585 S. Clear Fall or operate in case of power. One that stands out for greatness of achievement!</small>		CAPACITY: 3000 psi		WEIGHT: 16.542 lbmass	
		SHEET: A SHEET: 1 OF 1 FILENAME: TRH2.00MP5LT14X6.00.idw		TITLE: TRH2.00MP5LT14X6.00	
701 MONTREAL STREET THUNDER BAY, ON P7E 3P-2 CANADA TEL: 807-474-5337 FAX: 807-623-5692 www.titanworldwide.com				DRAWING No:	
					REVISION: