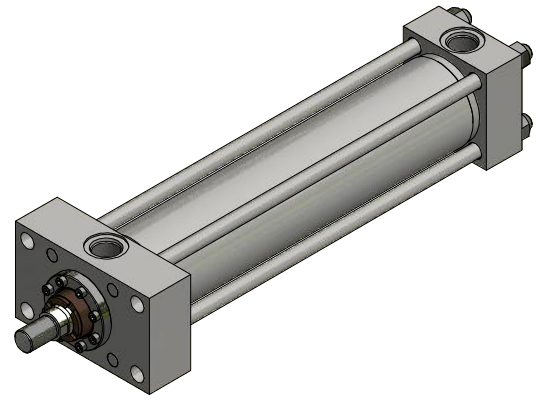
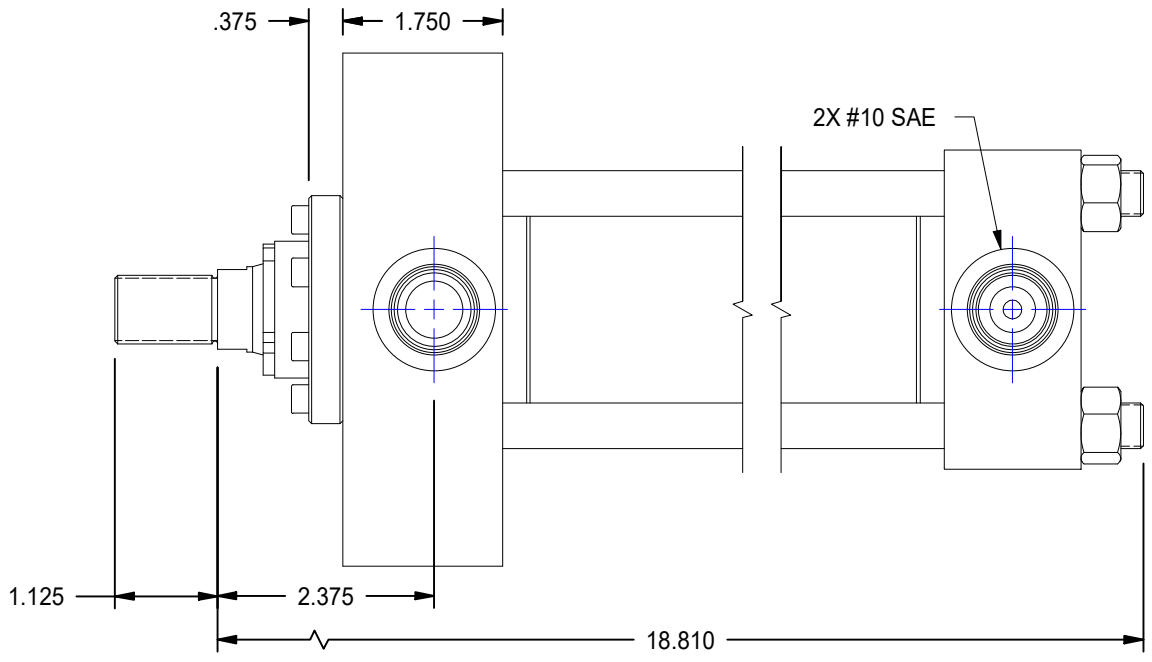


1

2

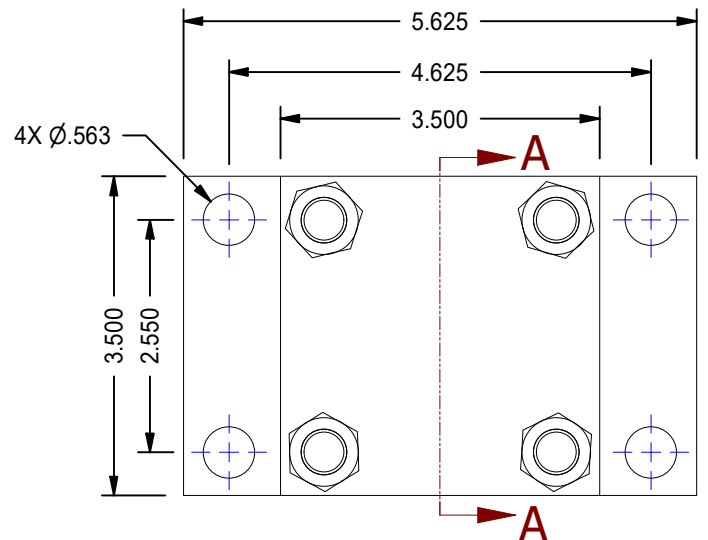
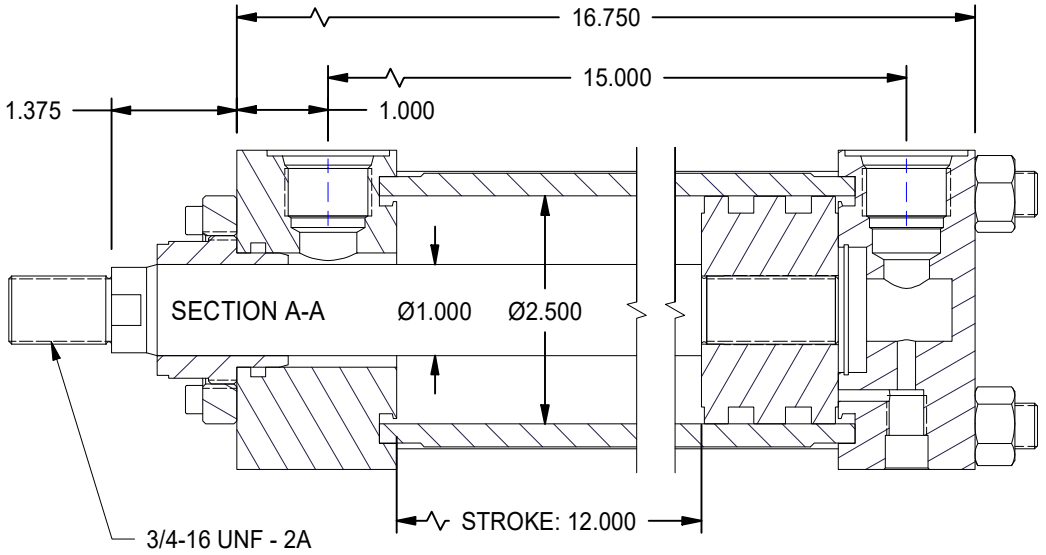
A


A



B

B



| | | | | | |
|--|--|---|--------------------|-----------------------|------------------|
| MODEL NUMBER: | | PROJECT/CUSTOMER INFO: | | DSGND: | DATE: 2017-09-08 |
|  TITAN WORLDWIDE INC. <small>75 ton 5000 PSI Clear title or graphic in case of power. One that stands out for greatness of achievement!</small> PHONE: 807-474-5337 FAX: 807-623-5692 EMAIL: info@titanworldwide.com WEB: www.titanworldwide.com | | ENGINEER: | CAPACITY: 3000 PSI | WEIGHT: 30.218 lbmass | |
| | | SHEET: A SHEET: 1 OF 1 FILENAME: TRH2.50ME5LT14X12.00.idw | | | |
| TITLE: TRH2.50ME5LT14X12.00 | | | | | |
| DRAWING No: | | | | | REVISION: |

1

2

| DATE | INTL | DESCRIPTION | REV |
|------|------|-------------|-----|
| | | | |