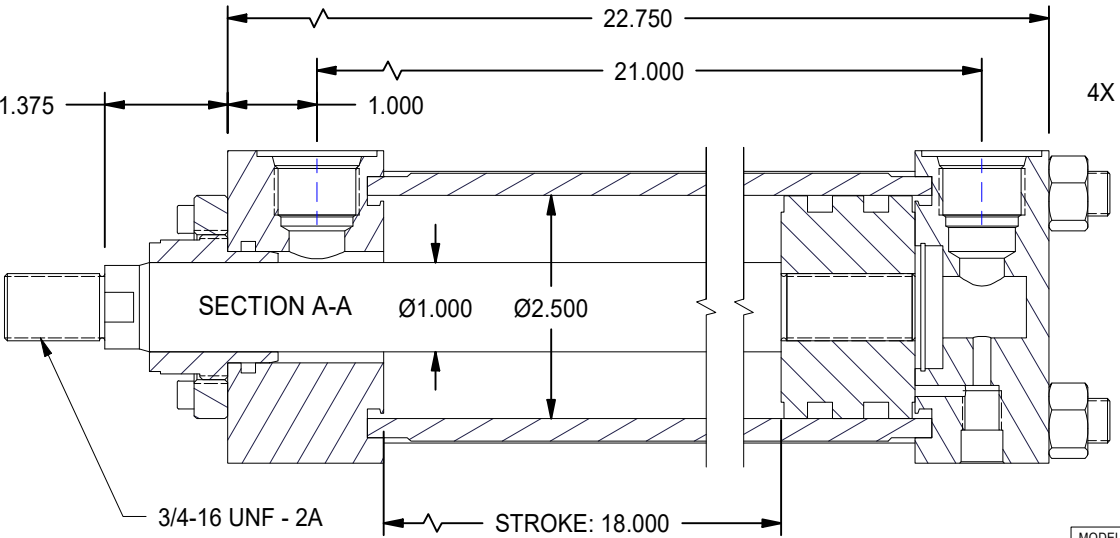
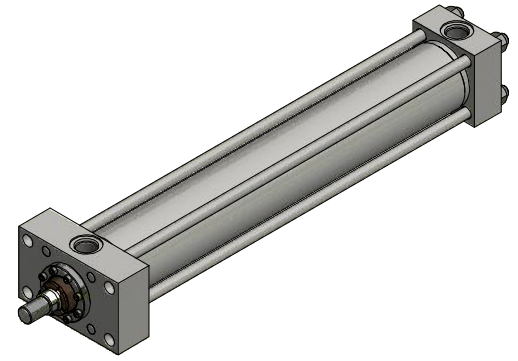
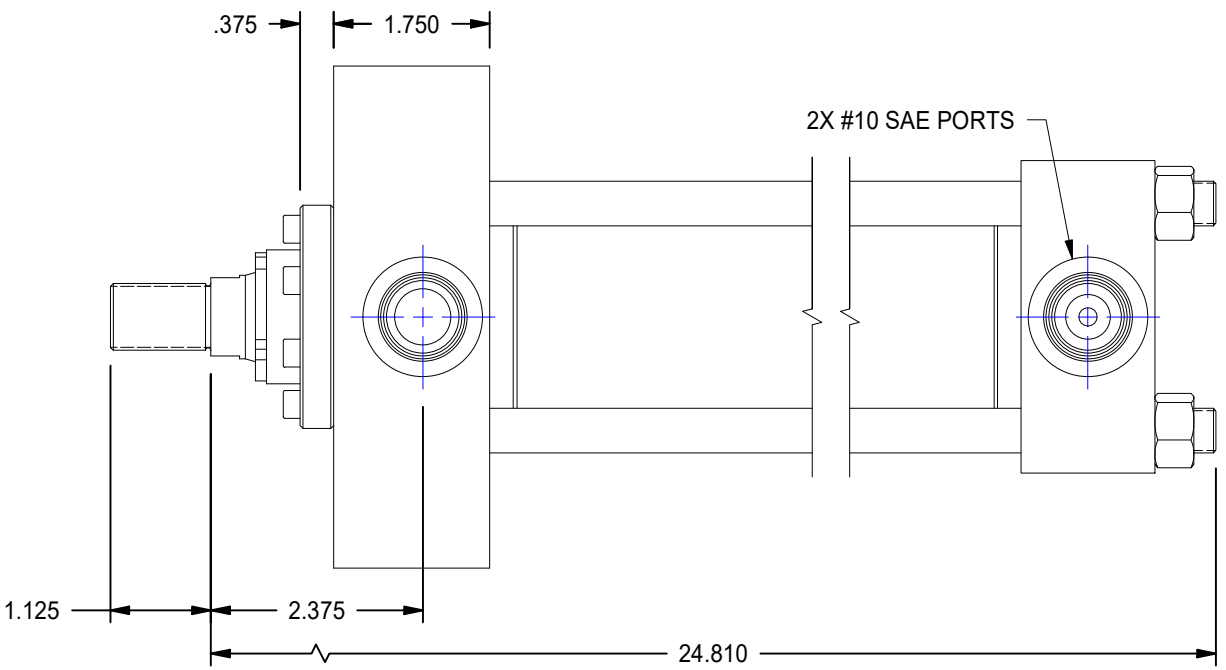


1

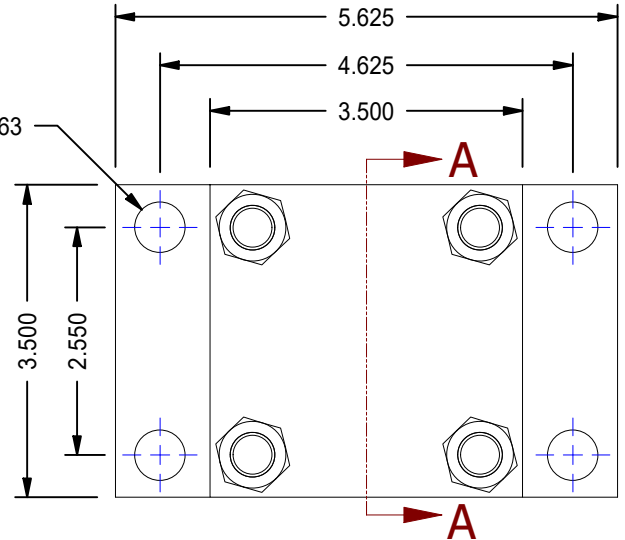
2

A

A




4X Ø.563



B

B

MODEL NUMBER:		PROJECT/CUSTOMER INFO:		DSGND:	DATE: 2017-09-08
 TITAN WORLDWIDE INC. <small>31 Year ISO 9001 Clear that all products, in stock or power. One that stands out for greatness of achievement!</small>		ENGINEER:		CAPACITY: 3000 PSI	
		WEIGHT:		36.570 lbmass	
SHEET SIZE: A	SHEET: 1 OF 1	FILENAME:	TRH2.50ME5LT14X18.00.idw		
TITLE: TRH2.50ME5LT14X18.00					
DRAWING No:					REVISION:

1

2

DATE	INTL	DESCRIPTION	REV

1