

1

2

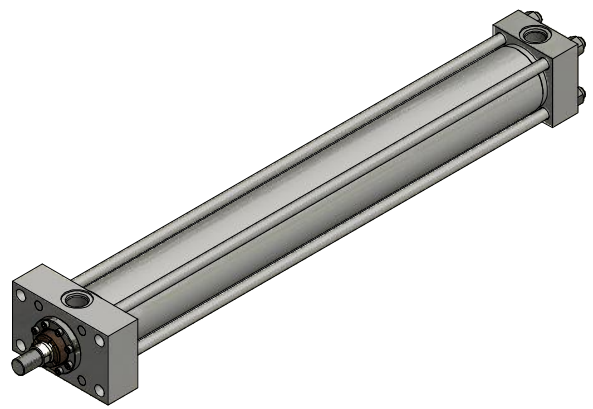


.375 1.750

2X SAE #10 PORTS

1.125 2.375

30.810



A

A

28.750

27.000

.875 1.000

4X Ø.563

5.625

4.625

3.500

SECTION A-A

Ø1.000

Ø2.500

3/4-16 UNF - 2A

STROKE: 24.000

A

A

B

B

MODEL NUMBER:



TITAN WORLDWIDE INC.  
3100 10th St.  
Clear Lake, CA 94631  
Clear Lake is located in state of power. One that stands out for greatness of achievement

701 MONTREAL STREET  
THUNDER BAY, ON  
P7E 3P-2  
CANADA  
TEL: 807-474-5337  
FAX: 807-623-5692  
www.titanworldwide.com

PROJECT/CUSTOMER INFO:

DSGND: DATE: 2017-09-08  
ENGINEER: CAPACITY: 3000 PSI  
WEIGHT: 42.923 lbmass

SHEET SIZE: A SHEET: 1 OF 1 FILENAME: TRH2.50ME5LT14X24.00.idw  
TITLE: TRH2.50ME5LT14X24.00

DRAWING No: REVISION:

DATE	INTL	DESCRIPTION	REV

1



2