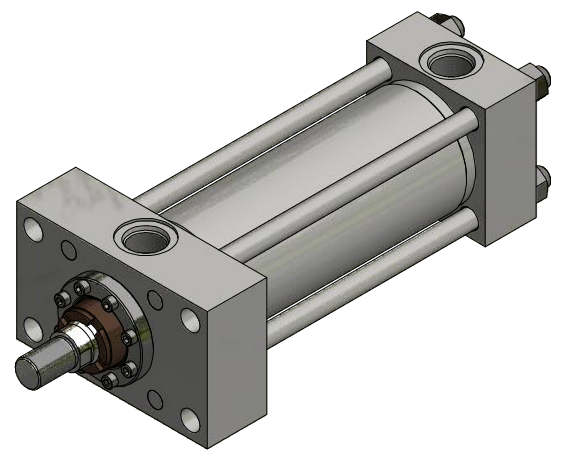
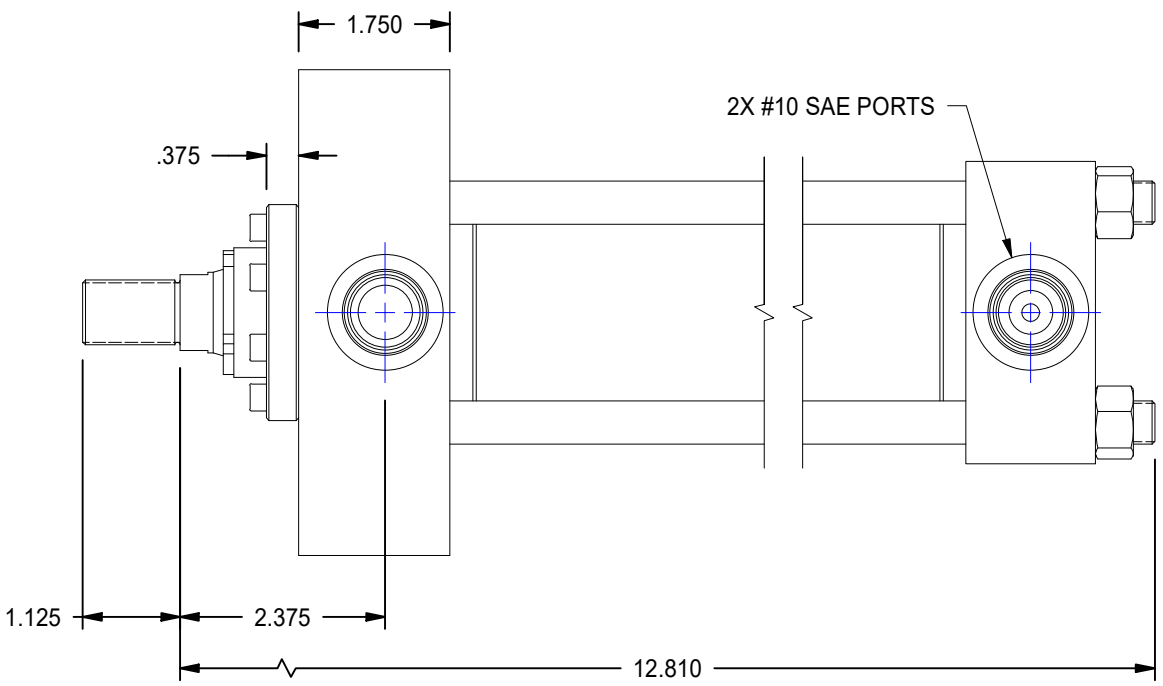


1

2

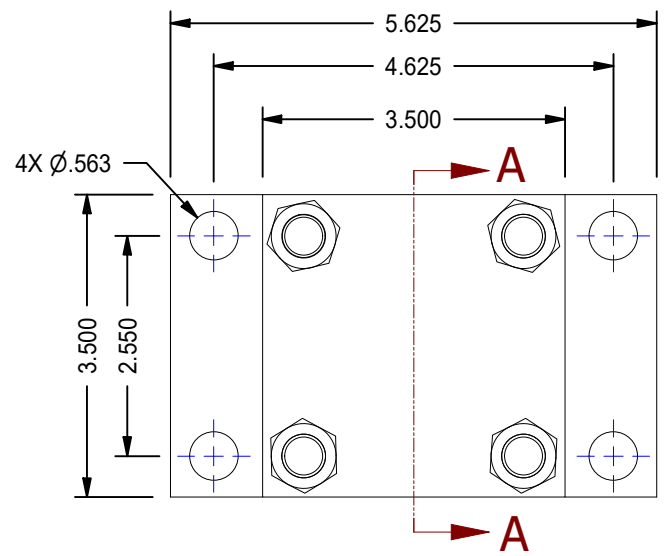
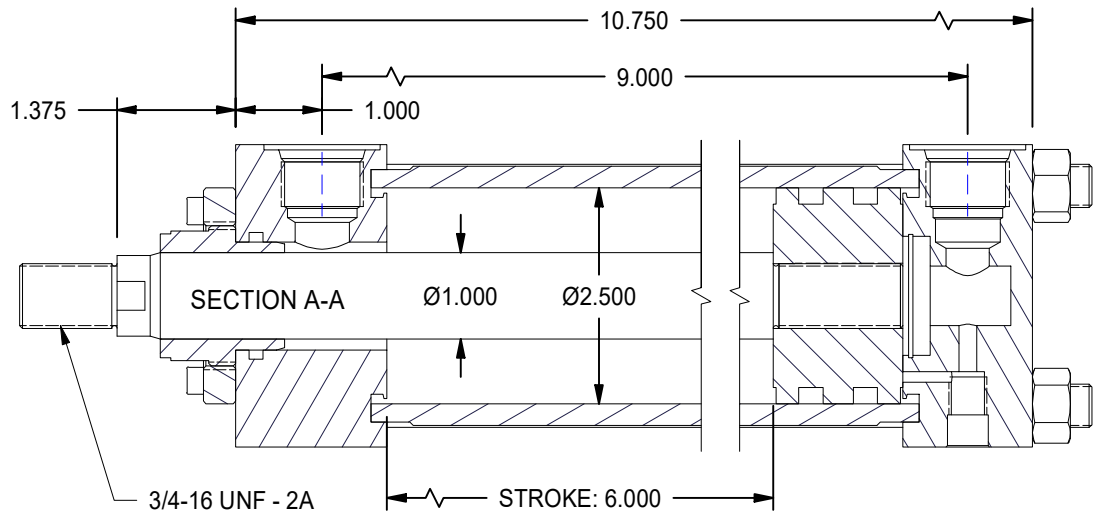
A


A



B

B



MODEL NUMBER:		PROJECT/CUSTOMER INFO:		DSGND:	DATE: 2017-09-08
 TITAN WORLDWIDE INC. <small>31 Year ISO 9001</small> <small>Clear that all products are made in Canada. One that stands out for greatness in achievement!</small>		ENGINEER:		CAPACITY: 3000 PSI	
		WEIGHT:		N/A	
SHEET SIZE: A	SHEET: 1 OF 1	FILENAME:	TRH2.50ME5LT14X6.00.idw		
TITLE: TRH2.50ME5LT14X6.00					
DRAWING No:					REVISION:

1

2

DATE	INTL	DESCRIPTION	REV