

1

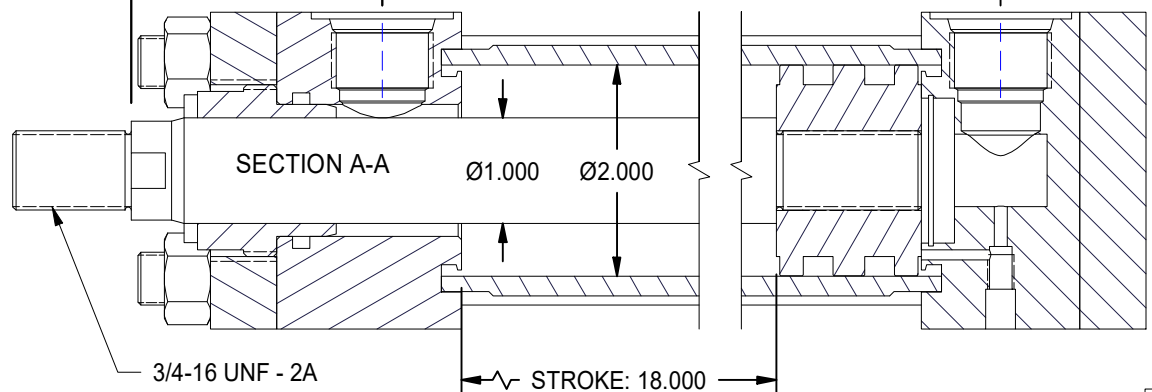
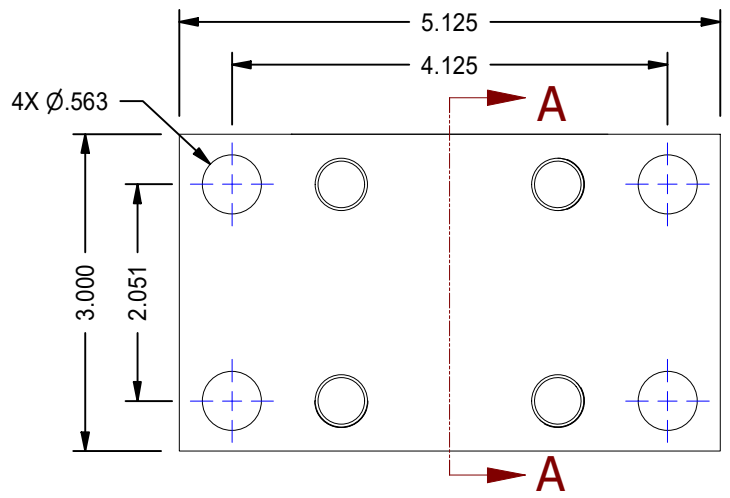
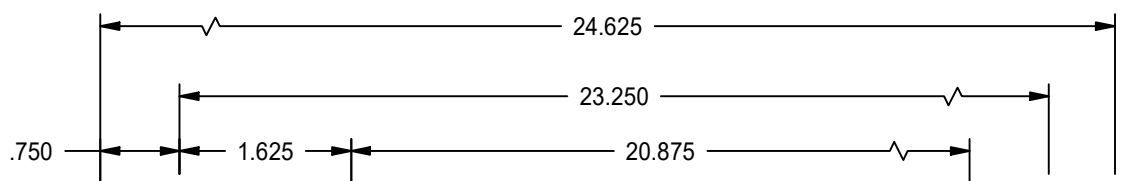
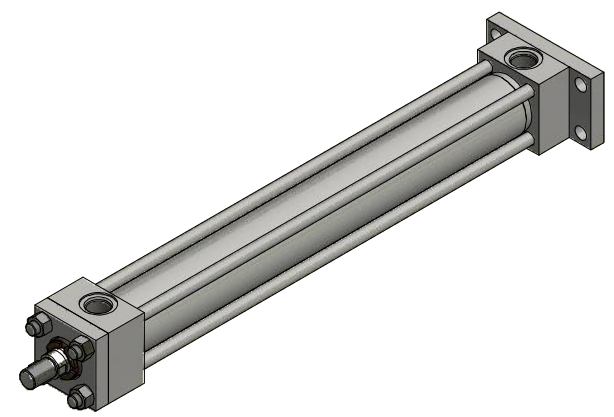
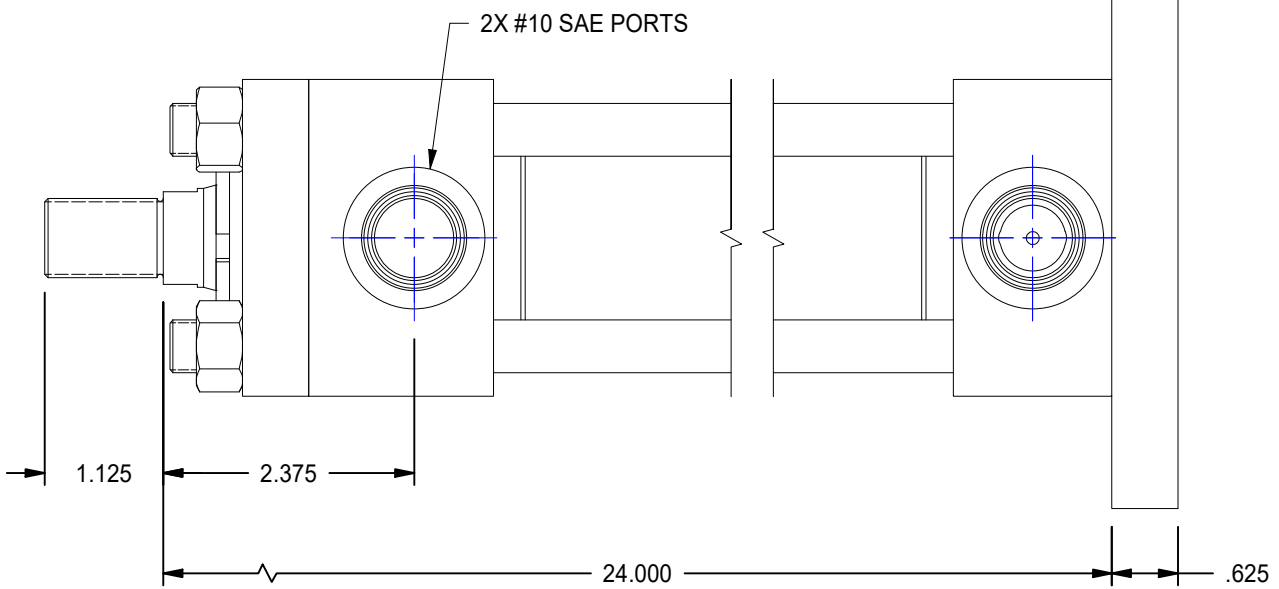
2


A

A

B

B



MODEL NUMBER:		PROJECT/CUSTOMER INFO:		DSGND:	DATE: 2013-03-07
 TITAN WORLDWIDE INC. <small>31 ton 5000 LBS.</small> <small>Clear fluid or hydraulic oil only. One that stands out for greatness of achievement!</small> <small>PHONE: 807-474-5337 FAX: 807-423-5692 EMAIL: info@stanworldwide.com WEB: www.stanworldwide.com</small>		CAPACITY: 3000 PSI		SHEET: A SHEET: 1 OF 1 FILENAME: TRH2.50MF2LT14X18.00.idw	
		WEIGHT: 28.274 lbmass		TITLE: TRH2.50MF2LT14X18.00	
701 MONTREAL STREET THUNDER BAY, ON P7E 3P-2 CANADA TEL: 807-474-5337 FAX: 807-423-5692 www.stanworldwide.com				DRAWING No:	
				REVISION:	

1

2

DATE	INTL	DESCRIPTION	REV