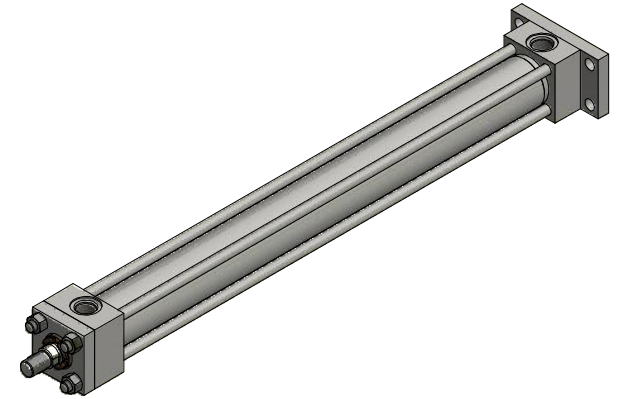
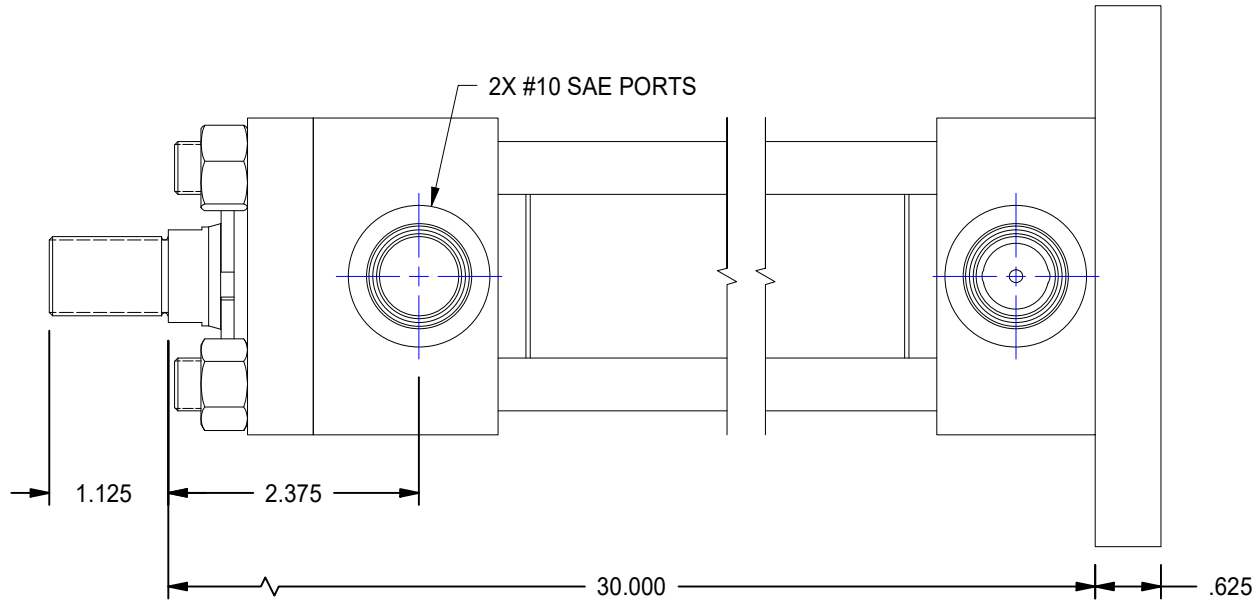


1

2

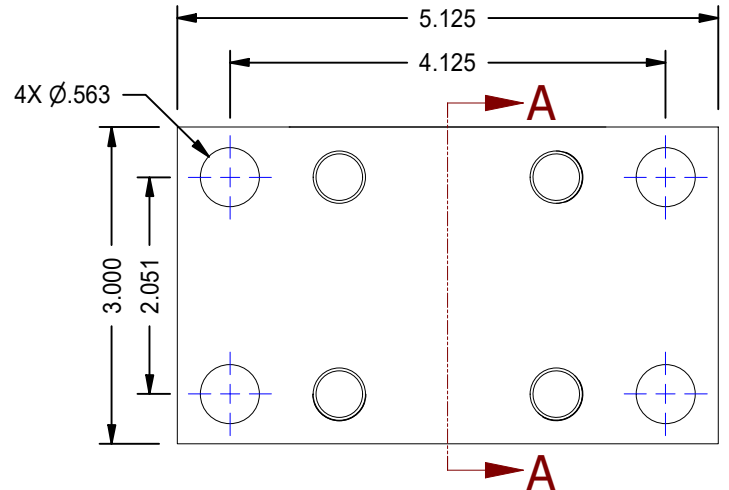
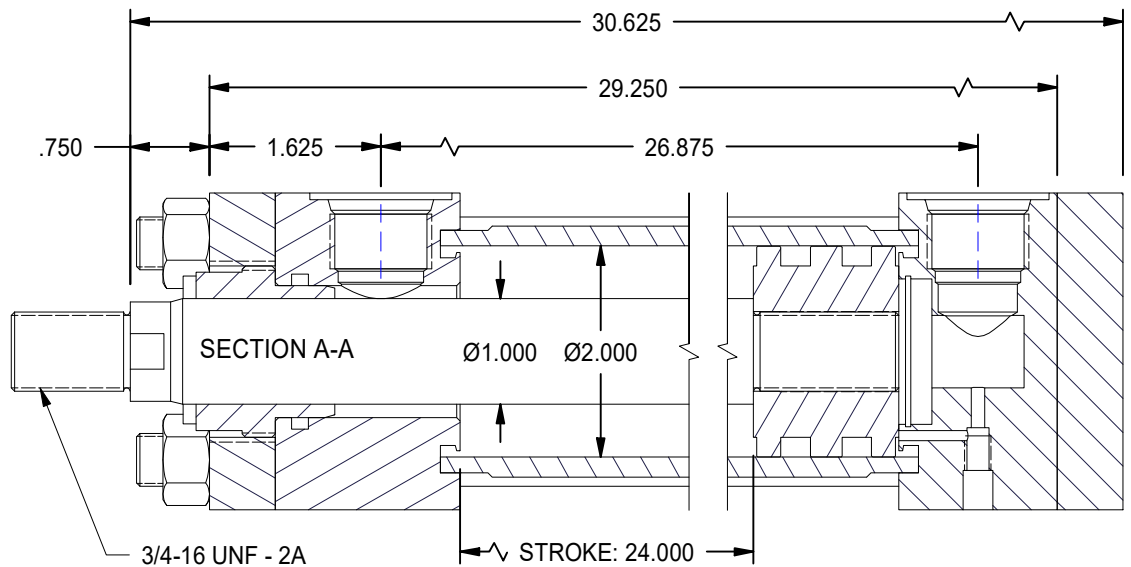
A

A



B

B



1

2

DATE	INTL	DESCRIPTION	REV

MODEL NUMBER:

PROJECT/CUSTOMER INFO:

DSGND: DATE: 2013-03-07

CAPACITY: 3000 PSI

WEIGHT: 33.170 lbmass

SHEET SIZE: A SHEET: 1 OF 1 FILENAME: TRH2.50MF2LT14X24.00.idw

TITLE: TRH2.50MF2LT14X24.00

DRAWING No: REVISION:

701 MONTREAL STREET
THUNDER BAY, ON
P7E 3P-2
CANADA
TEL: 807-474-5337
FAX: 807-623-5692
www.titanworldwide.com