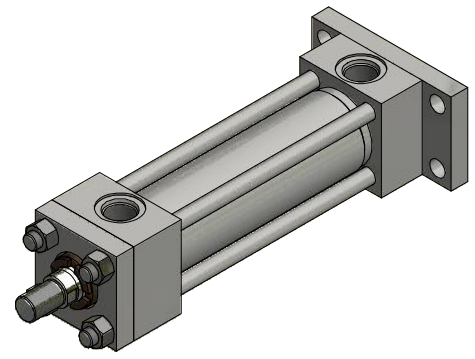
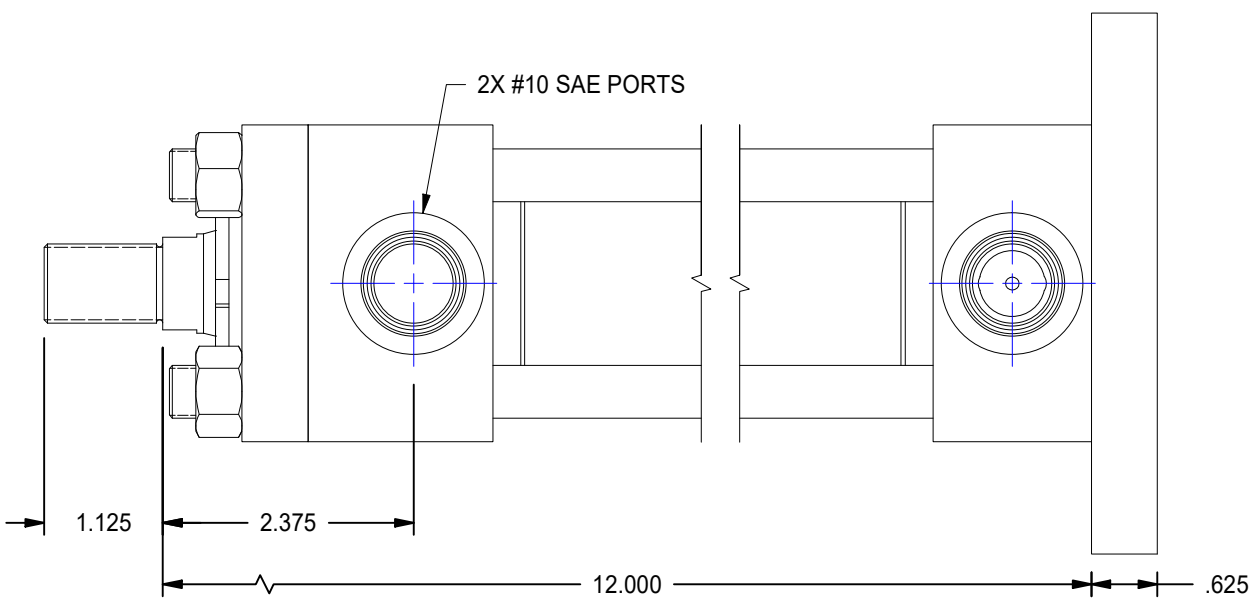


1

2

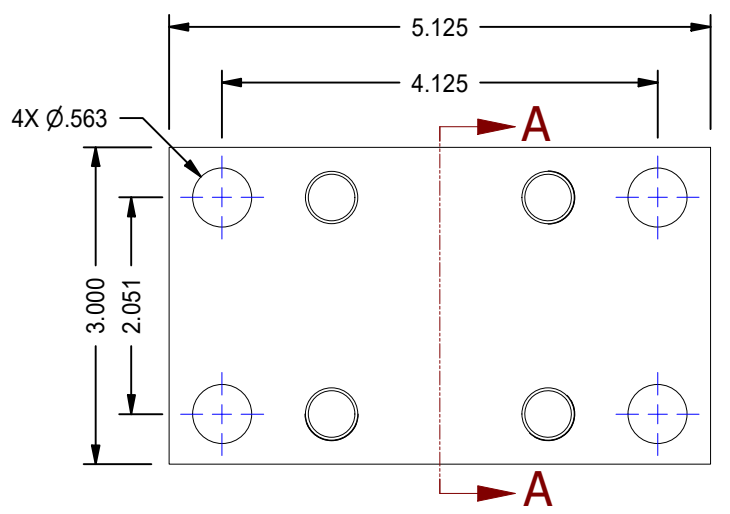
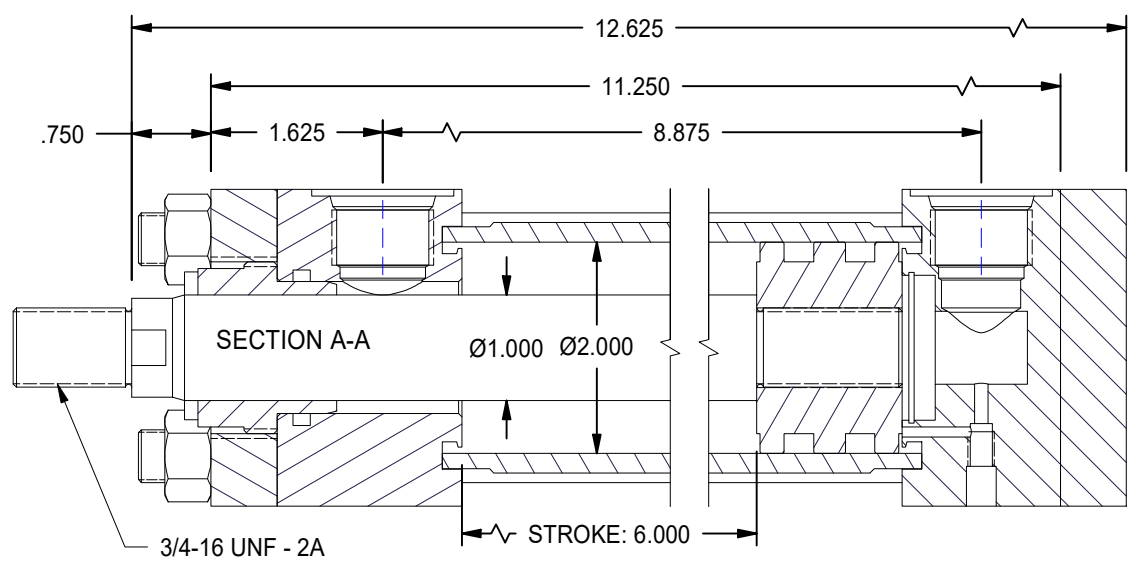
A

A



B


B



1

2

DATE	INTL	DESCRIPTION	REV

MODEL NUMBER:		PROJECT/CUSTOMER INFO:		DSGND:	DATE: 2013-03-07
 TITAN WORLDWIDE INC. <small>31 Year ISO 9001 Clear title all rights in name or power. One that stands out for greatness of achievement!</small> PHONE: 807-474-5337 FAX: 807-423-5692 EMAIL: info@titanworldwide.com WEB: www.titanworldwide.com 701 MONTREAL STREET THUNDER BAY, ON P7E 3P-2 CANADA TEL: 807-474-5337 FAX: 807-423-5692 www.titanworldwide.com		CAPACITY:	3000 PSI	FILENAME:	TRH2.50MF2LT14X6.00.idw
		WEIGHT:	18.483 lbmass	SHEET SIZE:	A
TITLE:		TRH2.50MF2LT14X6.00			
DRAWING No:					REVISION: