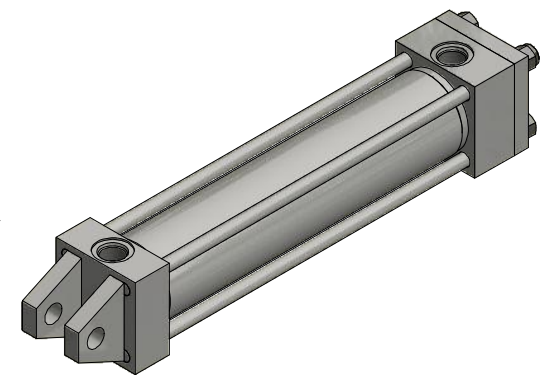
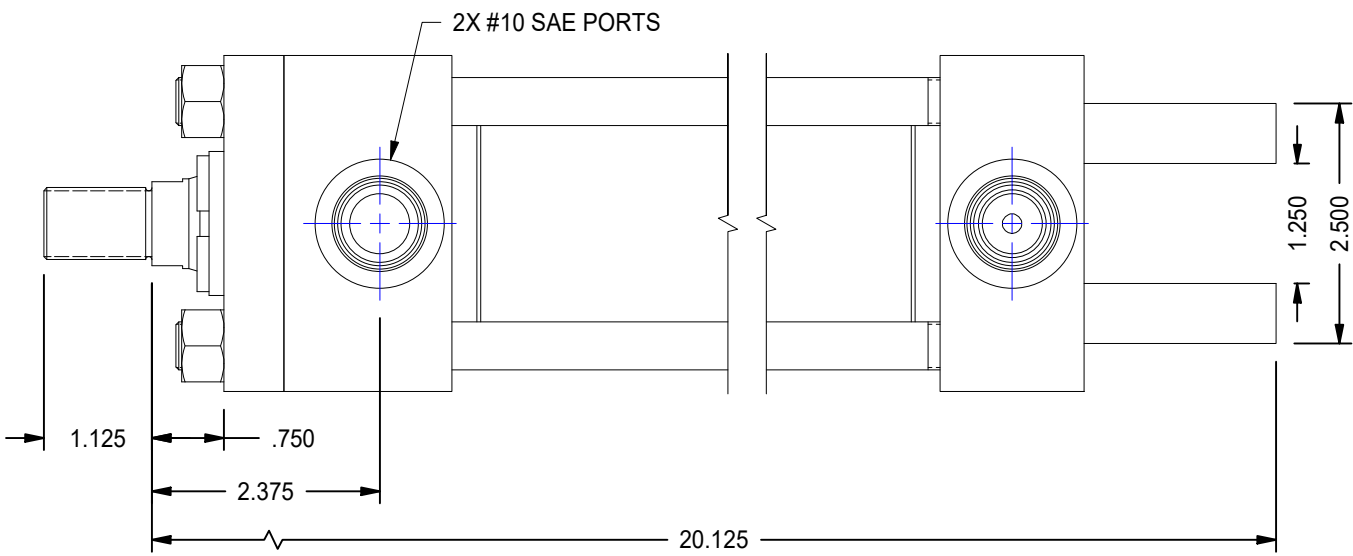


1

2

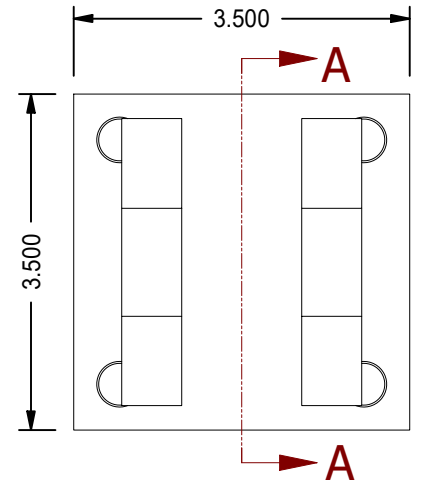
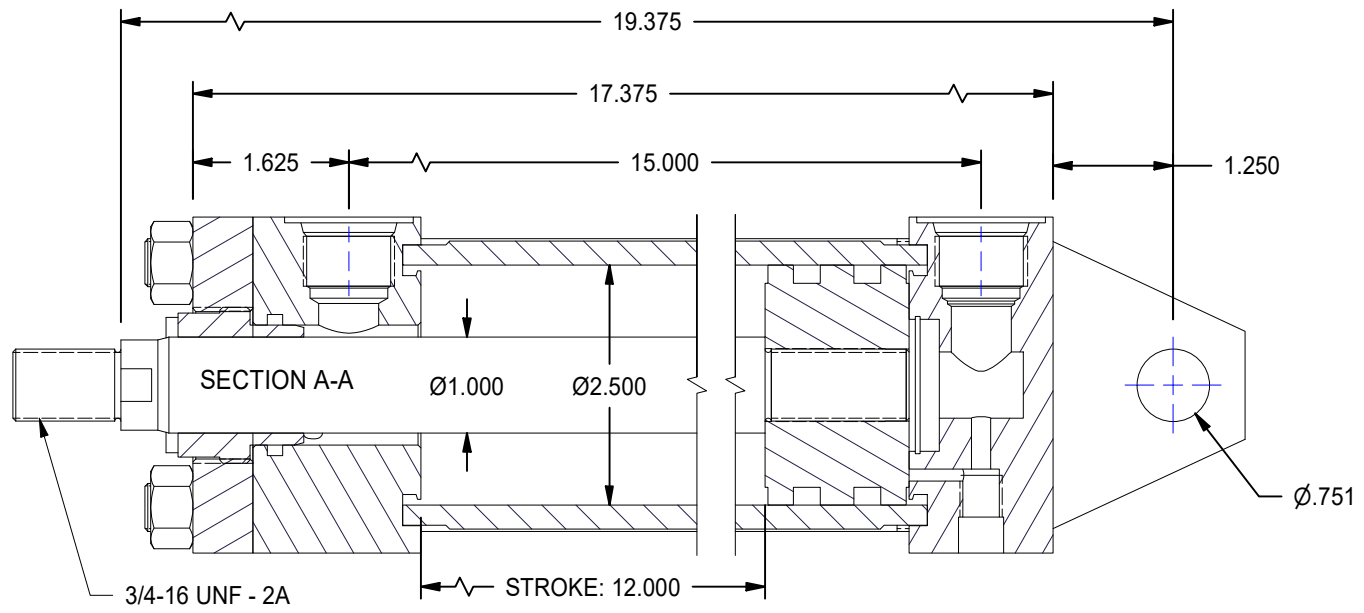
A

A



B


B



1

2



MODEL NUMBER:		PROJECT/CUSTOMER INFO:		DSGND:	DATE: 2011-12-05
 TITAN WORLDWIDE INC. <small>31 ton 5000 LBS.</small> <small>Clear Fall or liquid in case of power. Use that stands out for greatest of achievement!</small> <small>PHONE: 807-474-5337 FAX: 807-623-5692 EMAIL: info@titanworldwide.com WEB: www.titanworldwide.com</small>		CAPACITY: 3000 PSI		WEIGHT: 29.657 lbmass	
		SHEET: A SHEET: 1 OF 1 FILENAME: TRH2.50MP1LT14X12.00.idw		TITLE: TRH2.50MP1LT14X12.00	
701 MONTREAL STREET THUNDER BAY, ON P7E 3P-2 CANADA TEL: 807-474-5337 FAX: 807-623-5692 www.titanworldwide.com				DRAWING No:	
				REVISION:	

DATE	INTL	DESCRIPTION	REV