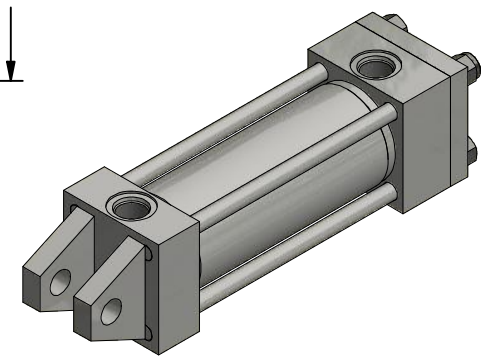
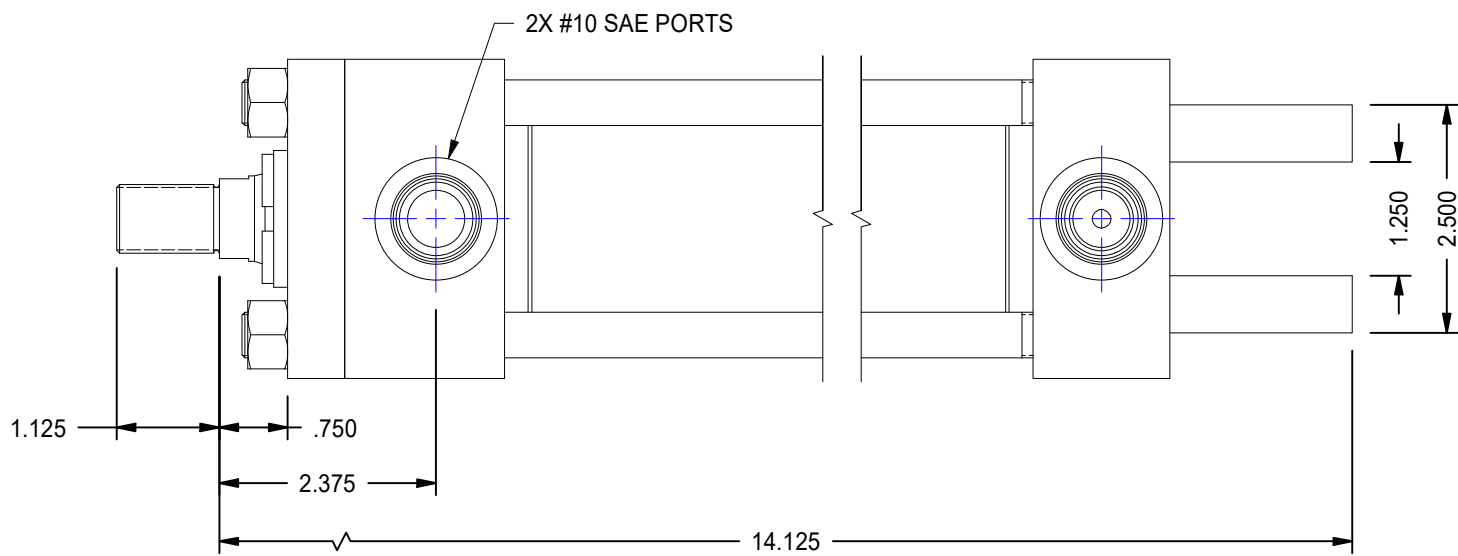


1

2

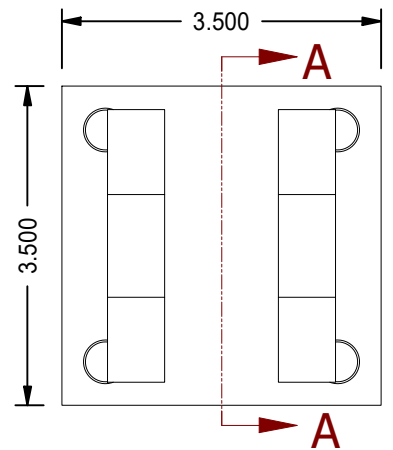
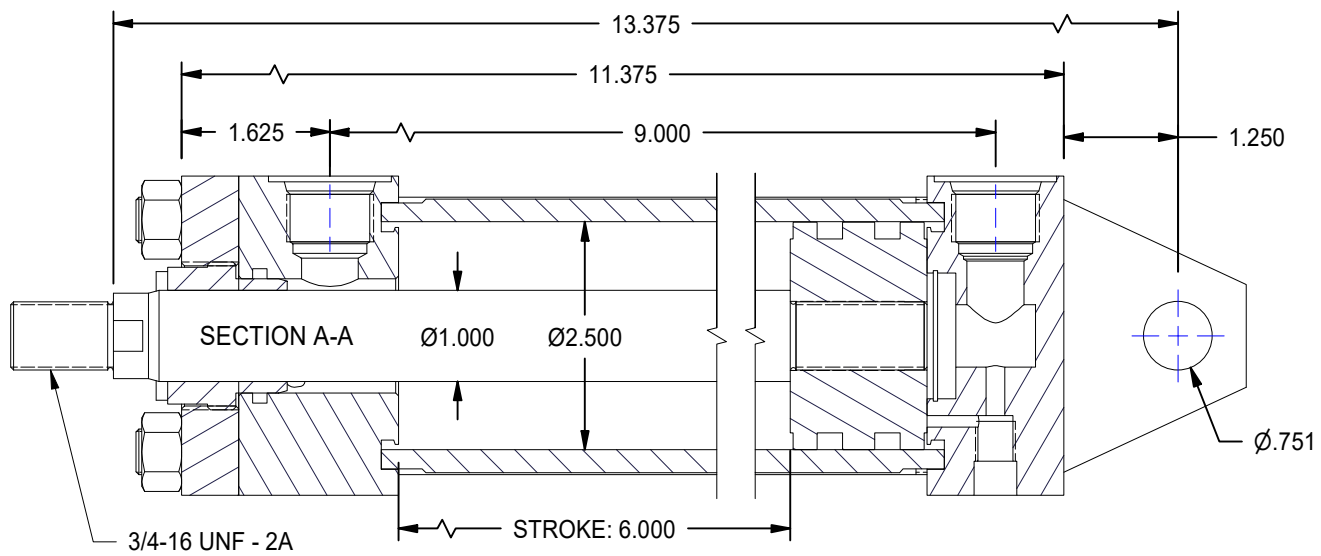
A

A



B

B




B

B

1

2

DATE	INTL	DESCRIPTION	REV

MODEL NUMBER:		PROJECT/CUSTOMER INFO:		DSGND:	DATE: 2011-12-05	
 TITAN WORLDWIDE INC. <small>31 rue St-Jules Clear Fall or Spring, in case of power. One that stands out for greatness of achievement!</small>		CAPACITY: 3000 PSI		WEIGHT: 23.311 lbmass		
		SHEET: A SHEET: 1 OF 1 FILENAME: TRH2.50MP1LT14X6.00.idw		TITLE: TRH2.50MP1LT14X6.00		
701 MONTREAL STREET THUNDER BAY, ON P7E 3P-2 CANADA TEL: 807-474-5337 FAX: 807-623-5692 www.titanworldwide.com				DRAWING No:		REVISION: