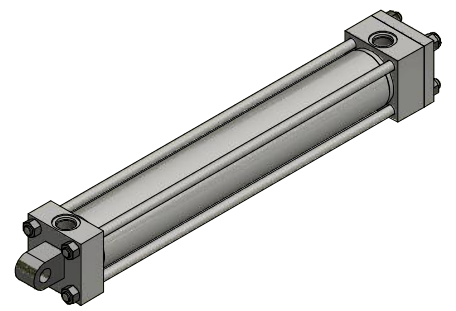
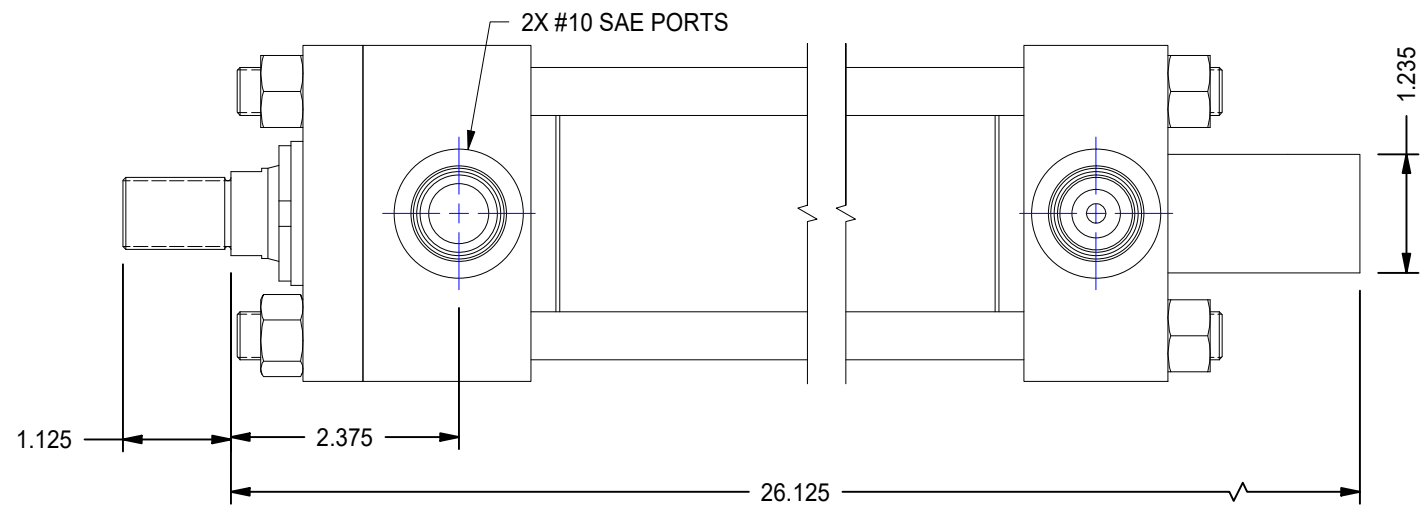


1

2

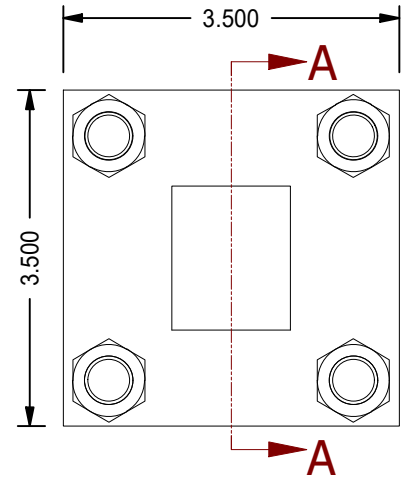
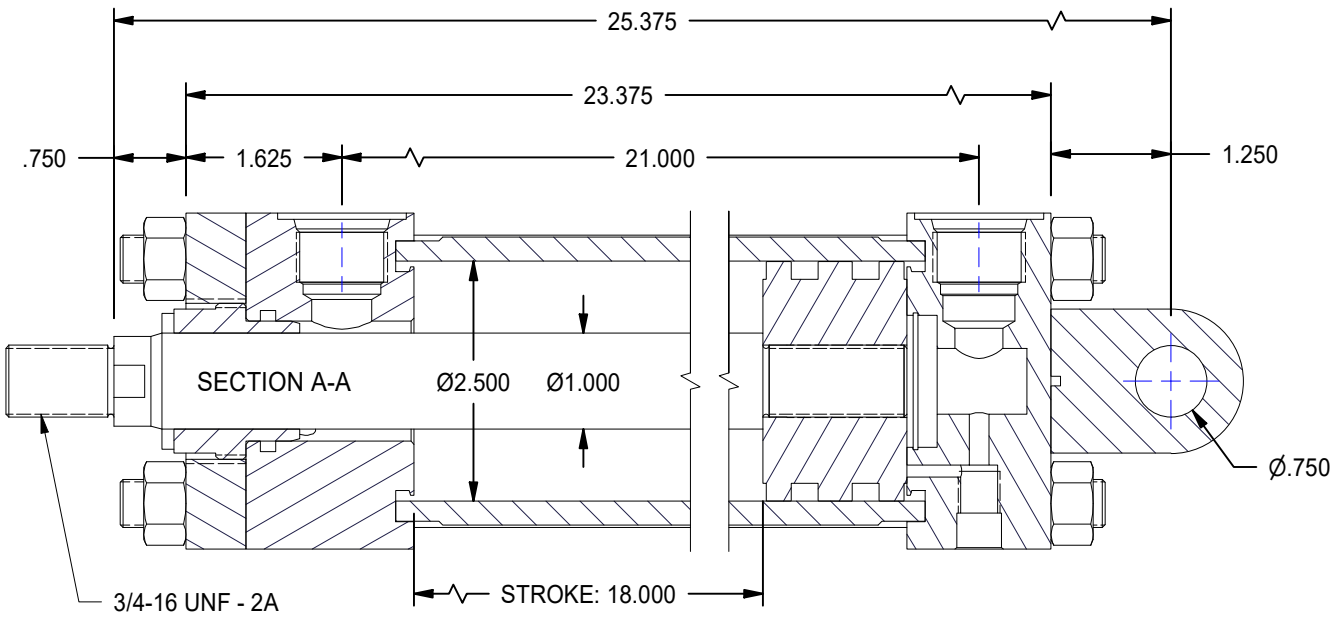
A

A



B

B




B

B

1

2

DATE	INTL	DESCRIPTION	REV

MODEL NUMBER:		PROJECT/CUSTOMER INFO:		DSGND:	DATE: 2013-03-07
 TITAN WORLDWIDE INC. <small>31 rue 50th St.</small> <small>Clear that all goods in use or power. One that stands out for greatness of achievement!</small> <small>PHONE: 807-474-5337 FAX: 807-623-5692 EMAIL: info@stanworldwide.com WEB: www.stanworldwide.com</small>		CAPACITY:	3000 PSI	SHEET: A SHEET: 1 OF 1 FILENAME: TRH2.50MP3LT14X18.00.idw	
		WEIGHT:	16.184 kg	TITLE: TRH2.50MP3LT14X18.00	
701 MONTREAL STREET THUNDER BAY, ON P7E 3P-2 CANADA TEL: 807-474-5337 FAX: 807-623-5692 www.stanworldwide.com				DRAWING No:	REVISION: