

1

2

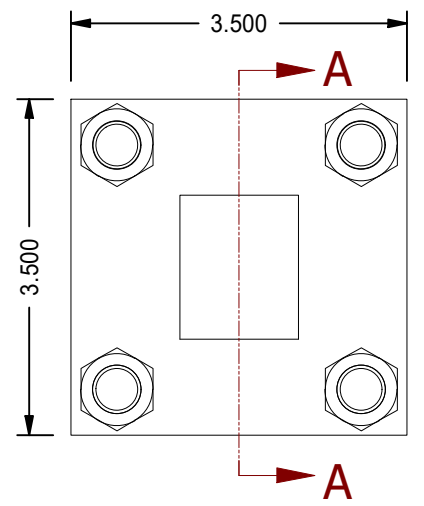
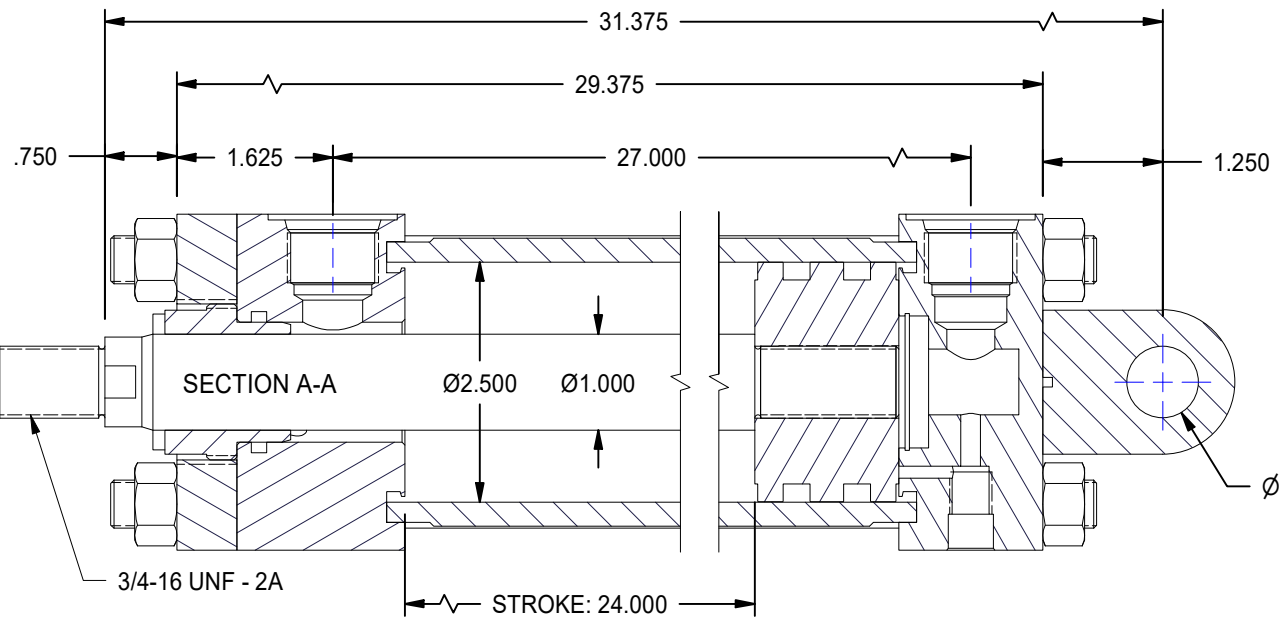
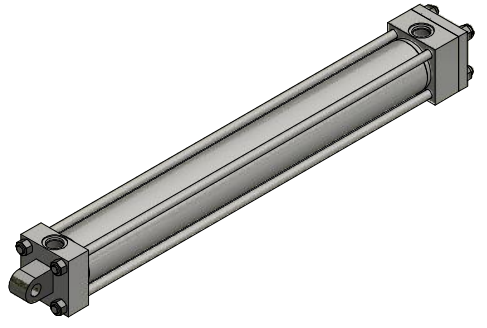
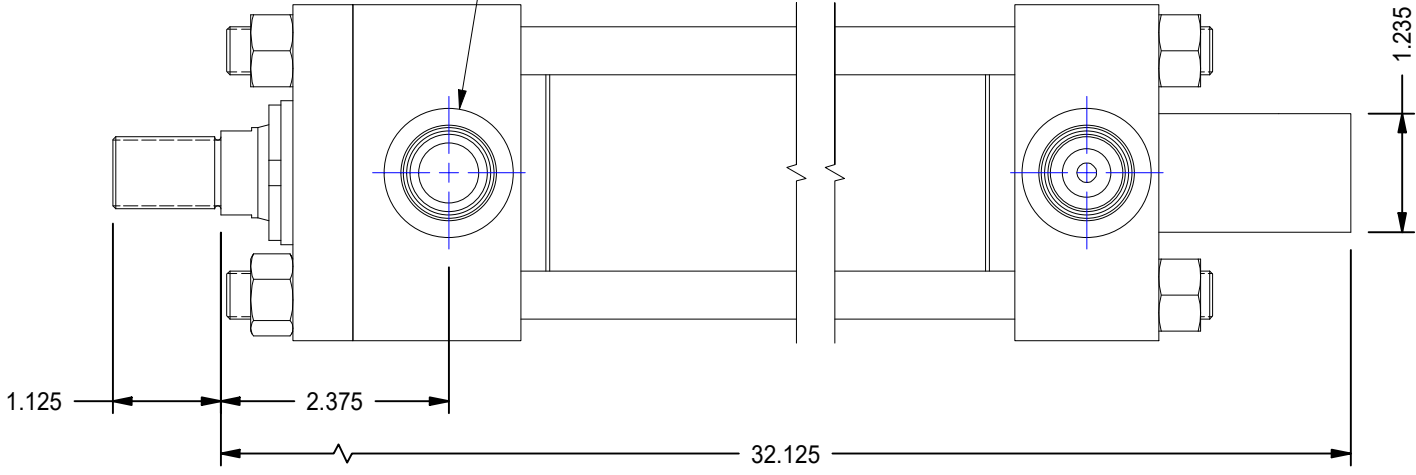
A


A

B

B

2X #10 SAE PORTS



MODEL NUMBER:		PROJECT/CUSTOMER INFO:		DSGND:	DATE: 2013-03-07
 <b>TITAN WORLDWIDE INC.</b> <small>31 Year 1982</small> <small>Clear title or graphic in case of power. One that stands out for greatness of achievement!</small>		CAPACITY: 3000 PSI		WEIGHT: 19.063 kg	
		SHEET: A SHEET: 1 OF 1 FILENAME: TRH2.50MP3LT14X24.00.idw		TITLE: TRH2.50MP3LT14X24.00	
701 MONTREAL STREET THUNDER BAY, ON P7E 3P-2 CANADA TEL: 807-474-5337 FAX: 807-623-5692 www.titanworldwide.com				DRAWING No:	
				REVISION:	

1

2

DATE	INTL	DESCRIPTION	REV

1

2